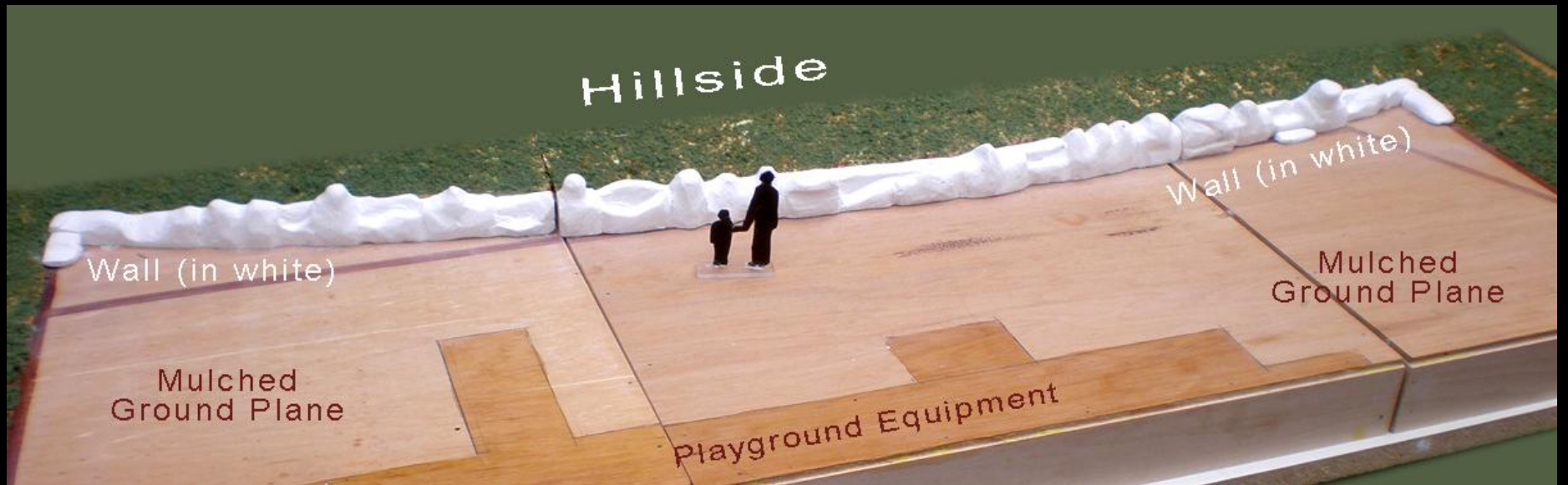
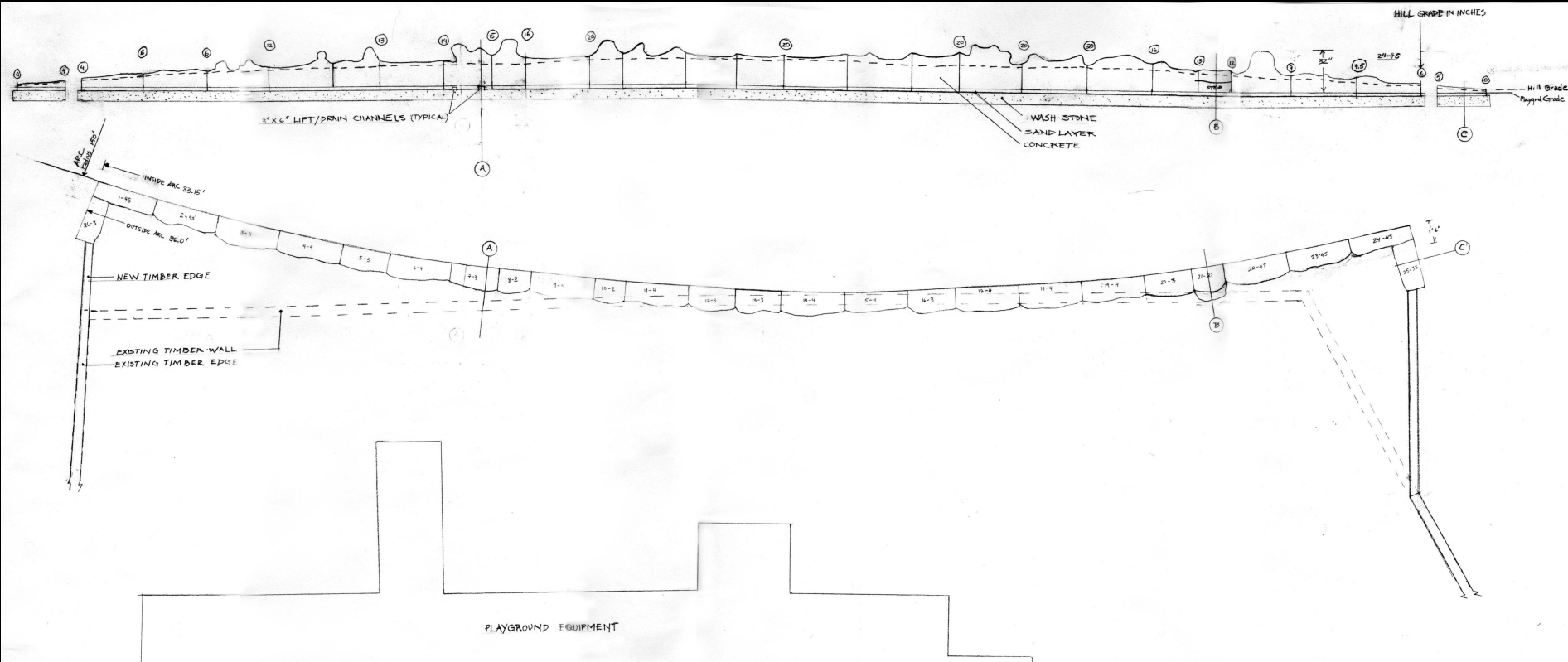


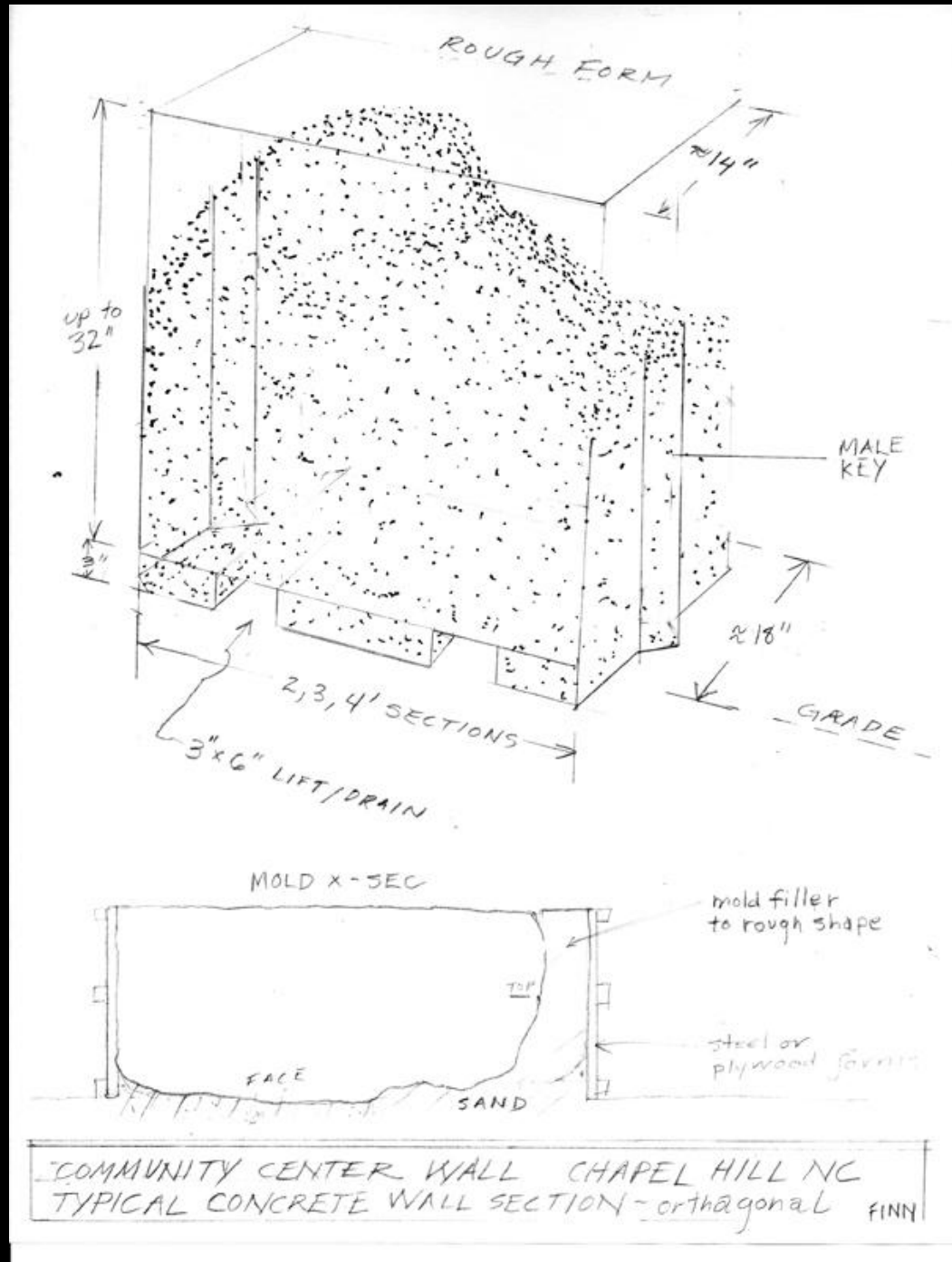
# Attachment 1



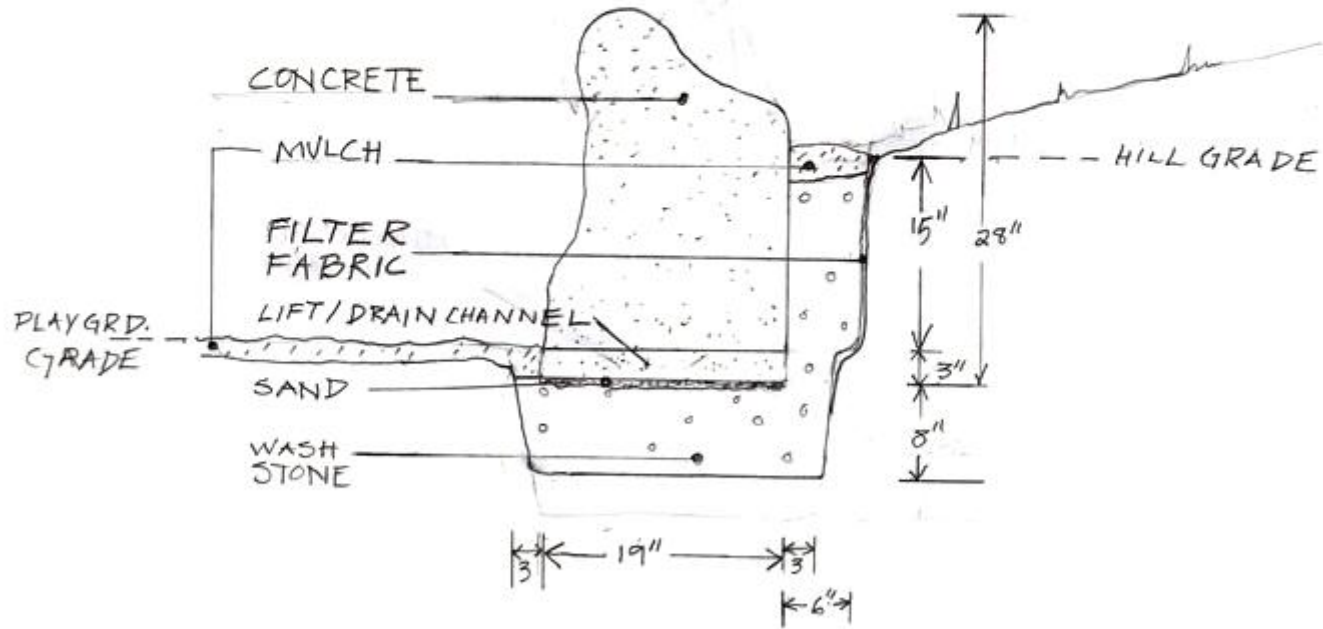
# Attachment 1



Attachment 1



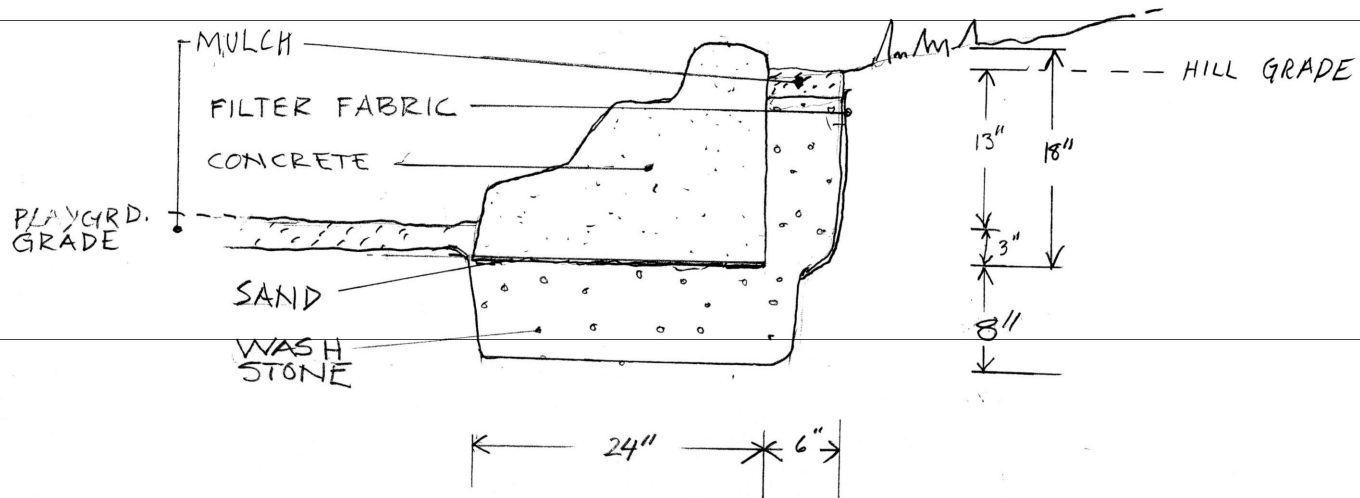
(A) WALL SECTION SECTION of 7-3



SCALE: 1" = 1'

FINN

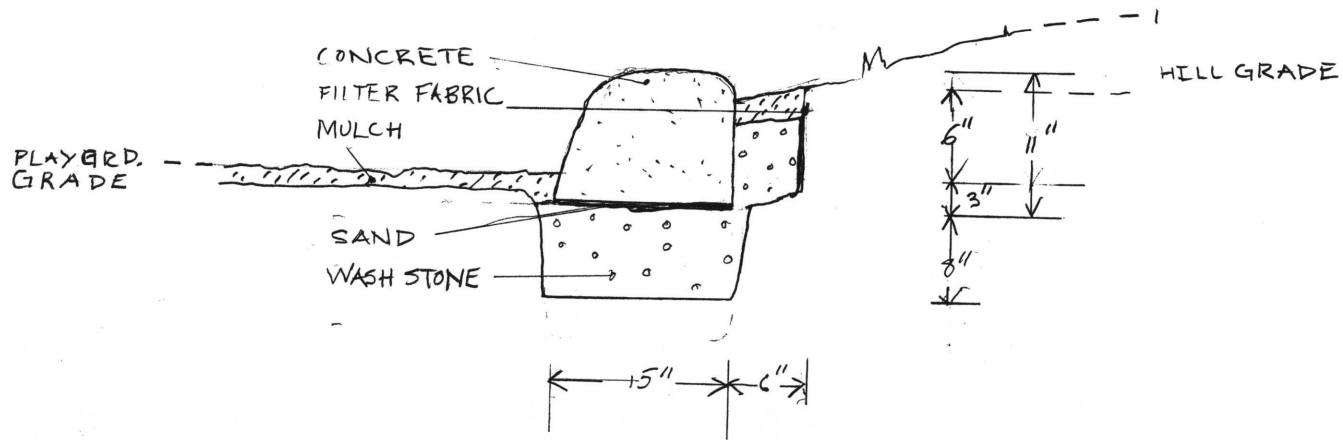
Ⓑ WALL SECTION section of 21-2



SCALE: 1" = 1'

FINN

© WALL SECTION section of 25-3 (3.5 cu.ft.  $\approx$  560 lbs)



SCALE 1" = 1'

FINN