

Appendix A
Deed Description



STATE OF NORTH CAROLINA

COUNTY OF ORANGE

THIS DEED made this 15 day of June, 1942, by and between Sarah Crow, widow of Durham County, North Carolina, Mavis Crow Bogan, and husband, A. B. Bogan, Durham County, North Carolina, and Dora Crow Ford and husband, Murray W. Ford, of Washington County, Pennsylvania, parties of the first part and the University of North Carolina, a State educational corporation, with its principal office in Chapel Hill, North Carolina, party of the second part.

WITNESSETH:

That the parties of the first part for and in consideration of the sum of Two Thousand Twenty (\$2,020.00) Dollars to them in hand paid by the party of the second part, the receipt of which is hereby acknowledged, have bargained and sold and by these presents do grant, bargain, sell, and convey to the said University of North Carolina, its successors and assigns a certain tract or parcel of land in Chapel Hill Township, Orange County, State of North Carolina, adjoining the lands of Sarah Crow and The University of North Carolina, bounded and described as follows:

BEGINNING at an iron stake and pointers, which said stake is located 10 feet North of a cement marker located on the University Airport tract (formerly part of Mary McC. Lindsey land), which said cement marker is also N 53 deg 45 min East 412 feet from a stake set in the property line of the Orange Church Road, and running thence a division line between Walter Crow and the parties of the first part North 83 deg West 1500 feet to a stake and pointers in the Sarah Crow and H. E. Williams lines; running thence with the said marked line South 4 degrees 25 min West 1750 feet to a stake and rock pile; thence South 85 deg 30 min East 570 feet to a cement marker; thence North 46 deg 30 min East 355 feet to a stake in an old road; thence North 57 degrees 30 min East 734 feet to a stake and large white oak pointer on the Northwest edge of University Airport Runway No. 3; thence North 9 deg East 1039 feet to the BEGINNING, containing 48 acres more or less.

Being the same land conveyed by Sarah Crow (with reservation of life estate) to Dora Crow Ford and Mavis Crow Bogan by deed dated November 4, 1935, and recorded in Book No. 104, Page 15 of the Records of Deeds of Orange County, North Carolina.

It is the intention of Sarah Crow to convey by this deed all her right title and interest in the residue of the original tract conveyed to Aaron Crow and Sarah Crow, his wife, by James Webb, Jr., and brother by deed dated October 1, 1898, subject only to the deeds to parts of said original tract previously conveyed by the said Sarah Crow and husband, or by the said Sarah Crow personally.

TO HAVE AND TO HOLD the aforesaid tract or parcel of land with all privileges and appurtenances thereto belonging to the University of

NORTH CAROLINA, ORANGE COUNTY
The foregoing certificate of John B. [unclear] of
Orange County attested by [unclear]

correctly let the instrument with the said [unclear] be registered
Witness my hand this 29th day of June, 1942.

A. W. Kenyon
Clerk Superior Court

NORTH CAROLINA, ORANGE COUNTY

The foregoing certificate of John B. [unclear] of
Washington County, Pennsylvania, attested by the
Notarial Seal is adjudged to be correct and the same
with the certificate be registered.

Witness my hand this 29th day of June, 1942.

A. W. Kenyon
Clerk Superior Court

North Carolina, its successors and assigns in fee simple.

Said said parties of the first part for themselves and their heirs, executors and administrators covenant, in the said party of the second part, its successors and assigns that they are seized of said premises in fee and have a right to convey in fee simple, that said premises are free and clear from all encumbrances and they do hereby forever warrant and will forever defend the same to the said party of the first part and all persons who come by or under them.

IN WITNESS WHEREOF, the said parties of the first part have hereunto set their hands and seals the day and year first above written.

Witnesses to Sarah Crow's signature

(1) _____ Dora Crow Ford (SEAL)

(2) _____ Murray W. Ford (SEAL)

her
_____ Sarah K. Crow (SEAL)
maric

_____ A. B. Boggan (SEAL)

_____ Mamie Boggan (SEAL)

STATES OF NORTH CAROLINA
COUNTY OF Orange

I, Kenneth M. Jones, a Notary Public in and for the above County and State, do hereby certify that Sarah Crow, widow, personally appeared before me this day and acknowledged the due execution of the foregoing deed.

Witness my hand and Notarial Seal, this 20 day of JUNE, 1942.

S/ Kenneth M. Jones
Notary Public



My Commission Expires: 4/16-1944

Kenneth M. Jones

... ..
... ..
... ..
... ..
... ..

92

... ..
... ..
... ..
... ..
... ..

... ..
... ..
... ..
... ..
... ..

... ..
... ..
... ..
... ..
... ..

... ..
... ..
... ..
... ..
... ..

Appendix B

Composite Map of Horace Williams Airport Properties and Acquisition Dates



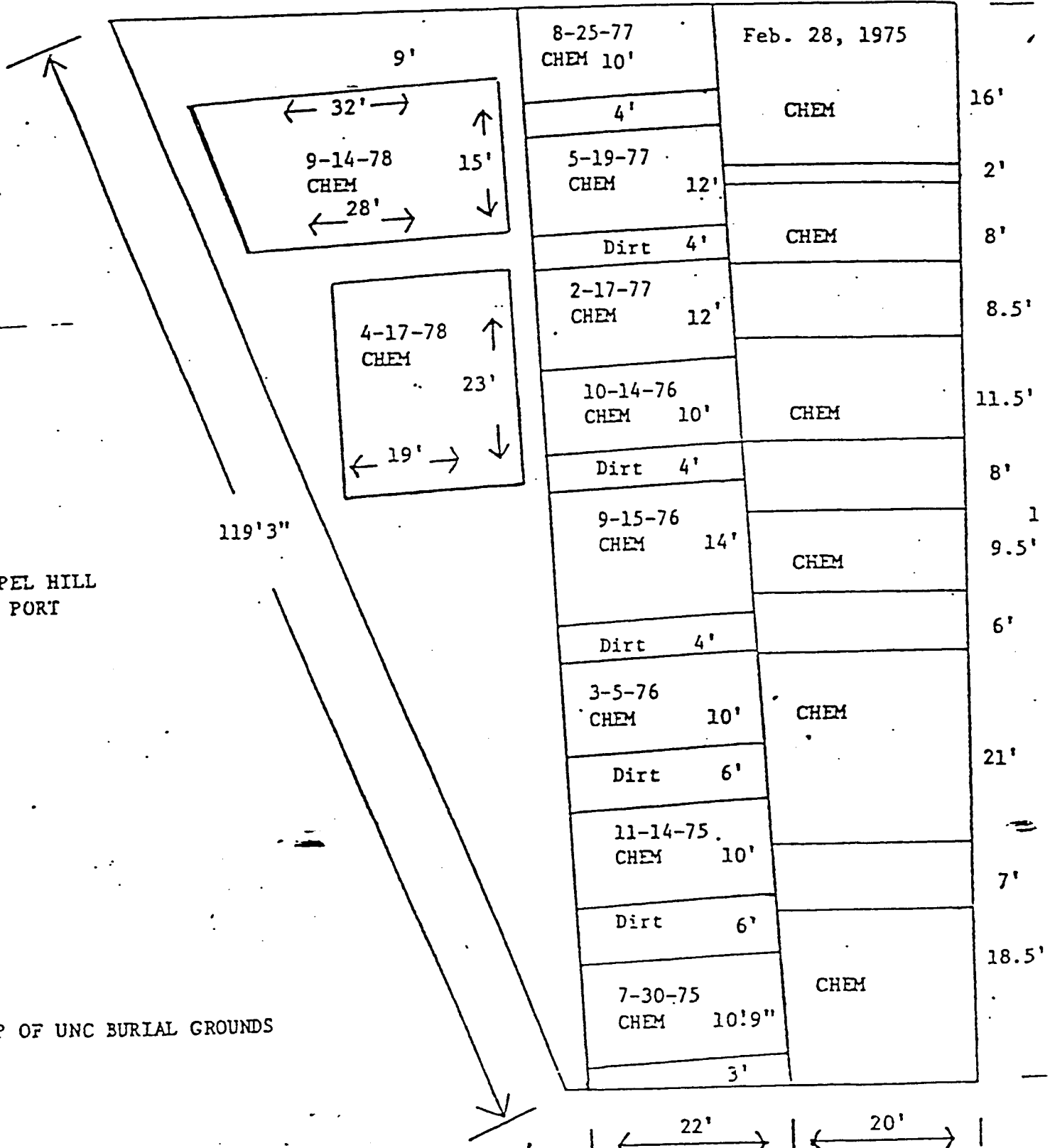
Appendix C

Chemical Burial Locations and List of Potentially Disposed Chemicals



92' 10"

← 26' 9" →



CHAPEL HILL AIR PORT

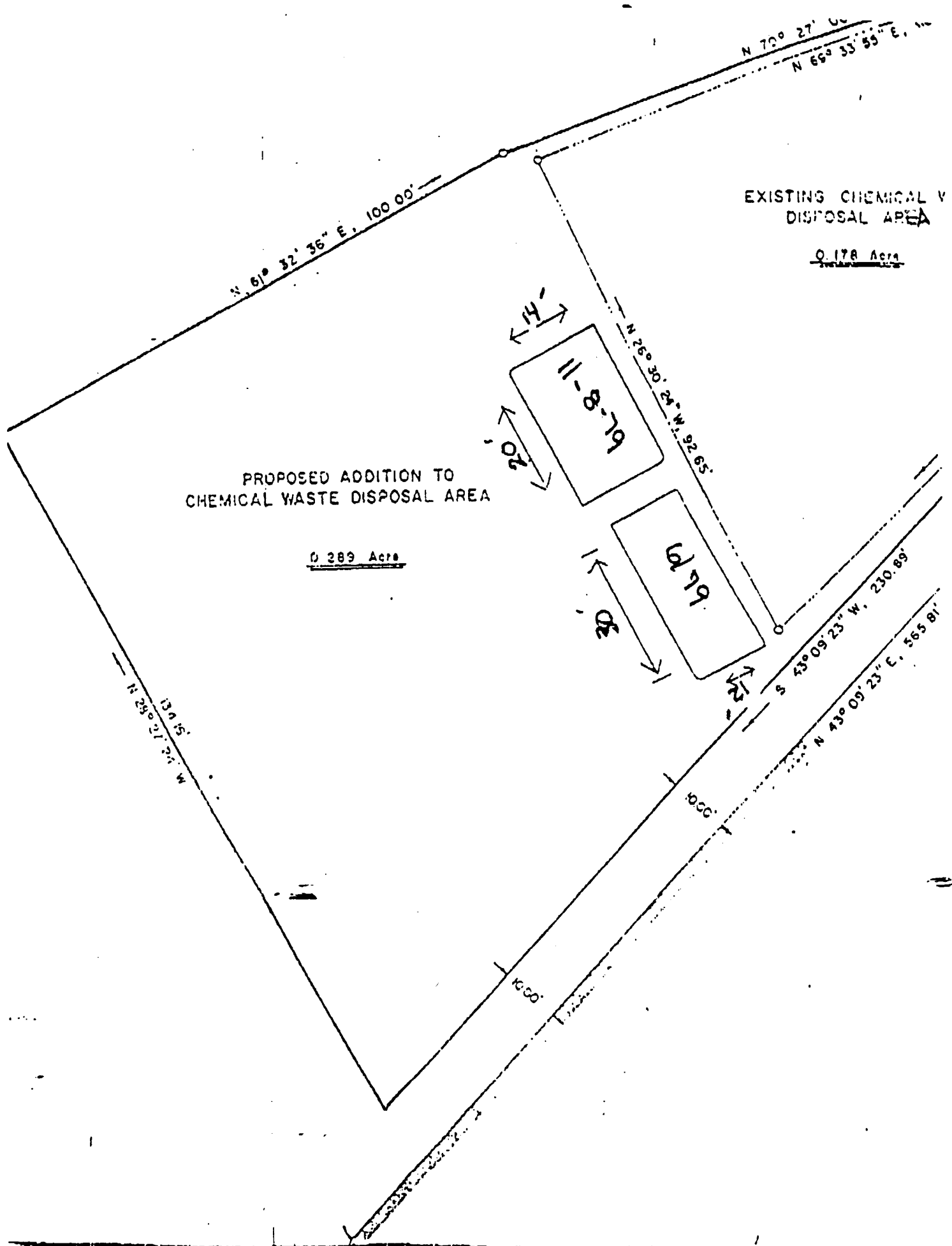
MAP OF UNC BURIAL GROUNDS

Scale: 1/16" = 1 ft.

← 22' → | ← 20' → |

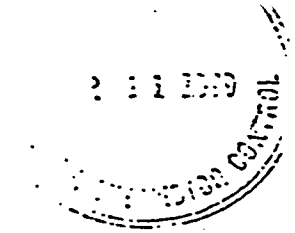
← 44' 1" →

T.C. MARR



CHEMICAL WASTES COLLECTED FROM LABORATORIES
ON CAMPUS FOR DISPOSAL

2 11 1969



Organic waste (unknown)
Chloride color reagent (containing mercury)
Acetic acid
Nitric acid
Sulfuric acid
Hydrochloric acid
Formaldehyde
Inorganic waste (unknown)
Acetone
Ascarite (solid)
Trimethyl chlorosilane
Potassium hydroxide
— Chloroform
Butyl alcohol
Ether
Bromohexane
Iodine waste
Dyes
Acetic anhydride
Propionic acid
N-N-Dimethyl formamide
Butyl ether
Carbon tetrachloride
Hydrozine monohydrate
Phosphorus pentoxide (solid)
Ethyl acetate
Benzene
Xylene
Sodium chloride irrigation
Mercuric cyanide
Santovac 5 (vacuum pump fluid)
Isobutyl alcohol
Toluene
Cyclohexane
Sodium sulfate
Sodium bisulfite
Barium hydroxide
Sodium borate
Sodium bismuthate
Polyethylene glycol , 20,000
Iodomethane
Calcium chloride
E amino-n-caproic acid
Hydrozine hydrate
Mercury (atomic absorption standard) 1,000 ppm
2,4 Dichlorophenol
Silver waste
2-Propanol
Vacuum pump oil
Butanol lithium acetate

Benzaldehyde
Methanol
N-Heptane
iso-propylamine
Sodium borohydride
Oxalic acid
Ammonium hydroxide
1,2 Dichloro ethane
Ethyl hydrogen peroxide
Methyrene chloride
Phosphorus pentoxide
Mercuric nitrate
Perchloric acid 70%
Potassium cyanide
Chromic acid
Paladium
Bromine water
Pyridine
Arsenic (atomic absorption standard)
1,000 ppm
Bun (blood serum, mercury)
Hexane
Pentane
Dimethyl sulfoxide
Lithium acetate
Glycerin
Sodium dichromate
2-merpato ethanol
Silicone
Osmium tetroxide
Aniline
Picric acid
Bromobenzene
Biofluor
Hydroxide of hyamine
Choline bicarbonate
Propylene oxide
Ethylene glycol
Propane fuel cans ("empty")
1,4 Dioxane

Appendix D
Soil Boring Logs



SAMPLE/CORE LOG

Boring/Well MW-6 Project/No. NC0239.001.005 Page 1 of 1

Site Chapel Hill, NC Drilling Started 4-11-95/15:05 Drilling Completed 4-11-95/16:45
Location _____

Total Depth Drilled 27 feet Hole Diameter 8-1/2 inches Type of Sample/ Coring Device split spoon

Length and Diameter of Coring Device 2" x 2' Sampling Interval 2 feet

Land-Surface Elev. _____ feet Surveyed Estimated Datum _____

Drilling Fluid Used _____ Drilling Method HSA/Mobile Drill B-57

Drilling Contractor McCall Bros. Driller _____ Helper _____

Prepared By G. Calvin Whitfield Hammer Weight _____ Hammer Drop _____ inches

Sample/Core Depth (feet below land surface)	Core Recovery (feet)	Time/Hydraulic Pressure or Blows per 6 inches	Sample/Core Description
From	To		

0	2		Clay (90%); sand, fine to very fine (10%); orange to gray; dry; no odor (OVA = 3.5 ppms)
2	4		Clay (90%); sand, fine (10%); orange to tan, dry, no odor (OVA - 60 ppms)
4	6		Same as 2' to 4'; orange to gray
6	8		Same as 4' to 6' (OVA = 36 ppms)
8	10		Same as 4' to 6' then at 9' bls becomes clay (70%); silt (30%); reddish brown; moist; no odor (OVA = 36 ppms); note also contains black organic material
10	12		Same as 9' to 10' then at 10.5 becomes clay (60%); sand, fine to medium grained (40%); brown with black organic staining; dry; no odor (OVA = 10.2 ppms)
12	14		Same as 10' to 12' (OVA = 50 ppms)
14	16		Clay (80%); sand, fine grained (20%); brown with black organic staining; damp; no odor (OVA = 30 ppms)
17			Water
16	18		Sand, fine to medium grained (70%); clay (30%); red brown; wet; no odor
18	20		Same as 16' to 18'
20	20.5	.5	Same, fine to medium grained (75%); clay (25%); brown to tan to olive green; dry; some odor; refusal on spoon
22			Rock

SAMPLE/CORE LOG

Boring/Well MW-7 Project/No. NC0239.001 Page 2 of 2

Site Location UNC-Chapel Hill Drilling Started _____ Drilling Completed 4-21-95

Total Depth Drilled 48 feet Hole Diameter 5 inches Type of Sample/
Coring Device _____

Length and Diameter of Coring Device _____ Sampling Interval _____ feet

Land-Surface Elev. _____ feet Surveyed Estimated Datum _____

Drilling Fluid Used _____ Drilling Method Air Rotary

Drilling Contractor McCall Brothers Driller B. Williamson Helper Jim

Prepared By Calvin Whitfield Hammer Weight _____ Hammer Drop _____ inches

Sample/Core Depth (feet below land surface)		Core Recovery (feet)	Time/Hydraulic Pressure or Blows per 6 inches	Sample/Core Description
From	To			
25	29			Rock.
29				Fracture.
29	32			Sand (100%) Lt. Brown; Dry.
32	46			Rock.
46				Fracture (Water).
48				Total Depth.

SAMPLE/CORE LOG

Boring/Well MW-8 (1st) Project/No. NC0239.001.005 Page 1 of 1

Site Location Chapel Hill, NC Drilling Started 4-12-95/07:40 Drilling Completed 4-12-95/08:40

Total Depth Drilled 12 feet Hole Diameter 8-1/2 inches Type of Sample/ Coring Device Split spoon

Length and Diameter of Coring Device 2" x 2' Sampling Interval 2 feet

Land-Surface Elev. _____ feet Surveyed Estimated Datum _____

Drilling Fluid Used _____ Drilling Method HSA

Drilling Contractor McCall Bros. Driller _____ Helper _____

Prepared By G. Calvin Whitfield Hammer Weight _____ Hammer Drop _____ inches

Sample/Core Depth (feet below land surface)		Core Recovery (feet)	Time/Hydraulic Pressure or Blows per 6 inches	Sample/Core Description
From	To			
0	2			Clay (60%); leaves and roots, trash (40%); black to brown to gray; damp; decomposing odor
2	4			Same as 0' to 2'
4	6			Clay (70%); silt (10%); trash and debris (20%); brown to tan; dry; methane odor
6	8			Clay (60%); trash and debris (40%); brown to tan; dry; methane odor
8	10			No. recovery
12				Refusal

SAMPLE/CORE LOG

Boring/Well MW-8 (2nd) Project/No. NC0239.001.005 Page 1 of 1

Site Location Chapel Hill, NC Drilling Started 4-12-95/09:40 Drilling Completed 4-12-95

Total Depth Drilled 16 feet Hole Diameter 8-1/2 inches Type of Sample/Coring Device

Length and Diameter of Coring Device Sampling Interval feet

Land-Surface Elev. feet Surveyed Estimated Datum

Drilling Fluid Used Drilling Method

Drilling Contractor McCall Bros. Driller Helper

Prepared By G. Calvin Whitfield Hammer Weight Hammer Drop inches

Table with columns: Sample/Core Depth (feet below land surface) - From, To; Core Recovery (feet); Time/Hydraulic Pressure or Blows per 6 inches; Sample/Core Description. Contains data for depths 0-11, 11-12, 12-15, and 15-17.

SAMPLE/CORE LOG

Boring/Well MW-8 (3rd) Project/No. NC0239.001.005 Page 1 of 1

Site Location Chapel Hill, NC Drilling Started 4-13-95/08:00 Drilling Completed 4-13-95/08:50

Total Depth Drilled 21 feet Hole Diameter _____ inches Type of Sample/ Coring Device _____

Length and Diameter of Coring Device _____ Sampling Interval _____ feet

Land-Surface Elev. _____ feet Surveyed Estimated Datum _____

Drilling Fluid Used _____ Drilling Method _____

Drilling Contractor McCall Bros. Driller _____ Helper _____

Prepared By G. Calvin Whitfield Hammer Weight _____ Hammer Drop _____ inches

Sample/Core Depth (feet below land surface)		Core Recovery (feet)	Time/Hydraulic Pressure or Blows per 6 inches	Sample/Core Description
From	To			
0	16			Clay (20%); trash (80%); plastic, wood, metal
16	17			Clay (50%); sand (50%); fine to medium grained; light brown to white; dry; no odor
17.5				Water
20	21			Weathered rock

SAMPLE/CORE LOG

Boring/Well MW-9 Project/No. NC0239.001.005 Page 1 of 1
 Site Chapel Hill, NC Drilling Started _____ Drilling Completed 4-18-95
 Location _____
 Total Depth Drilled 43.5 feet Hole Diameter 6 inches Type of Sample/ Coring Device Split spoon
 Length and Diameter of Coring Device 2" x 2' Sampling Interval 2 feet
 Land-Surface Elev. _____ feet Surveyed Estimated Datum _____
 Drilling Fluid Used _____ Drilling Method HSA/Air rotary
 Drilling Contractor McCall Bros. Driller _____ Helper _____
 Prepared By G. Calvin Whitfield Hammer Weight _____ Hammer Drop _____ inches

Sample/Core Depth (feet below land surface)	Core Recovery (feet)	Time/Hydraulic Pressure or Blows per 6 inches	Sample/Core Description
From	To		
0	2		Clay (80%); silt (20%); brown orange; dry; no odor
2	4		Clay (60%); silt (40%); brown orange to white; dry; no odor
6	8		Clay (70%); sand (30%); fine grained; brown orange to white; dry; no odor
8	10		Same as 6' to 8'
10	12		Same as 6' to 8'
12	14		Clay (50%); sand (50%); fine to coarse grained; red to white; dry; known odor
14	16		Clay (50%); silt (30%), sand (20%); fine to medium grained; brown to white
16	17		Clay (50%); sand (50%); fine grained to gravel size; brown to white; dry
17	20		Rock
20	21		Soft clay and silt
21	32		Rock
32	33		Soft clay and silt (stop drilling and let sit); 12:30
33	40		Start drilling; rock; 12:45
40	43		Soft, will let work sit; 12:50

SAMPLE/CORE LOG

Boring/Well MW-10 Project/No. NC0239.001.005 Page 1 of 1

Site Location Chapel Hill, NC Drilling Started 4-13-95/11:40 Drilling Completed 4-13-95

Total Depth Drilled 31 feet Hole Diameter _____ inches Type of Sample/
Coring Device _____

Length and Diameter of Coring Device _____ Sampling Interval _____ feet

Land-Surface Elev. _____ feet Surveyed Estimated Datum _____

Drilling Fluid Used _____ Drilling Method _____

Drilling Contractor McCall Bros. Driller _____ Helper _____

Prepared By G. Calvin Whitfield Hammer _____ Hammer _____
Weight _____ Drop _____ inches

Sample/Core Depth (feet below land surface)		Core Recovery (feet)	Time/Hydraulic Pressure or Blows per 6 inches	Sample/Core Description
From	To			
0	2			Topsoil and roots (OVA = 10 ppms)
2	4			No recovery, stump
4	6			Clay (70%); silt (30%); orangish red to white; dry; no odor
6	8			Clay (60%); silt (20%); sand (20%); fine grained; orange to brown; dry; no odor
8	10			At 9' Clay (60%); sand (40%); fine to medium grained; orange brown; damp; no odor
10	12			Same as 9' to 10' with some odor
12	14			Same as 10' to 12'; strong odor (OVA = 1500 ppms)
14	16			Same as 10' to 12'; strong odor (OVA = 1600 ppms)
18	20			Clay (80%); sand (20%); fine to medium grained; brown red; dry; strong odor
20	22			Same as 18' to 20' (OVA = 1500 ppms)
22	24			Same as 18' to 20' (OVA = 1500 ppms)
24	26			Same as 18' to 20' (OVA = 1500 ppms)
26	28			Same as 18' to 20' (OVA = 1500 ppms)
28	30			Same as 18' to 20' (OVA = 1500 ppms)
31				Rock
				Well not installed

SAMPLE/CORE LOG

Boring/Well MW-11 Project/No. NC0239.001.005 Page 1 of 1

Site Location Chapel Hill, NC Drilling Started 4-18-95/14:45 Drilling Completed 4-18-95/18:45

Total Depth Drilled 37 feet Hole Diameter _____ inches Type of Sample/
 Coring Device _____

Length and Diameter of Coring Device _____ Sampling Interval _____ feet

Land-Surface Elev. _____ feet Surveyed Estimated Datum _____

Drilling Fluid Used _____ Drilling Method _____

Drilling Contractor McCall Bros. Driller _____ Helper _____

Prepared By G. Calvin Whitfield Hammer Weight _____ Hammer Drop _____ inches

Sample/Core Depth (feet below land surface)		Core Recovery (feet)	Time/Hydraulic Pressure or Blows per 6 inches	Sample/Core Description
From	To			
0	2			Clay (70%); silt (30%); brown orange; dry; no odor
2	4			Clay (90%); silt (10%); orange to red to white; dry; no odor
4	6			Same as 2' to 4'
6	8			Refusal at 6.5'; saprolite
6.5	8.5			Rock
35				Hit water
37				TD

SAMPLE/CORE LOG

Boring/Well MW-12 Project/No. NC0239.001.005 Page 1 of 1

Site Location Chapel Hill, NC Drilling Started 4-13-95/09:30 Drilling Completed 4-13-95/10:10

Total Depth Drilled 22 feet Hole Diameter 6 inches Type of Sample/
Coring Device _____

Length and Diameter of Coring Device _____ Sampling Interval _____ feet

Land-Surface Elev. _____ feet Surveyed Estimated Datum _____

Drilling Fluid Used _____ Drilling Method _____

Drilling Contractor McCall Bros. Driller Dean Helper Pete

Prepared By G. Calvin Whitfield Hammer _____ Hammer _____
Weight _____ Drop _____ inches

Sample/Core Depth (feet below land surface)		Core Recovery (feet)	Time/Hydraulic Pressure or Blows per 6 inches	Sample/Core Description
From	To			
0	6.5			Rock
6.5	7			Sand (60%); fine to medium grained; clay (40%); red brown; dry; no odor
7	12.5			Rock Fracture at 12.5
12.5	21			Rock Fracture at 21
21	22			Rock
				Below hole for 5 min = 1 gpm

SAMPLE/CORE LOG

Boring/Well MW-13 Project/No. NC0239.001.005 Page 1 of 1

Site Location Chapel Hill, NC Drilling Started 4-19-95/07:55 Drilling Completed 4-19-95/08:40

Total Depth Drilled _____ feet Hole Diameter 6 inches Type of Sample/ Coring Device _____

Length and Diameter of Coring Device _____ Sampling Interval _____ feet

Land-Surface Elev. _____ feet Surveyed Estimated Datum _____

Drilling Fluid Used _____ Drilling Method _____

Drilling Contractor McCall Bros. Driller _____ Helper Dean Bryant James Helms

Prepared By G. Calvin Whitfield Hammer _____ Drop _____ inches

Sample/Core Depth (feet below land surface)		Core Recovery (feet)	Time/Hydraulic Pressure or Blows per 6 inches	Sample/Core Description
From	To			
0	5			Clay (70%); silt (20%); sand (10%); fine grained; brown to orange; dry; no odor
5	12			Clay (60%); sand (40%); fine grained; brown to tan; dry; no odor
12	17			Rock
17				Fracture; little water
12	22			Rock
22	23			Fracture
23				TD

SAMPLE/CORE LOG

Boring/Well MW-14/CH-1 Project/No. NC0239.001 Page 1 of 1

Site Location UNC - Airport Road Drilling Started 7-19-95 Drilling Completed _____

Total Depth Drilled 15 feet Hole Diameter _____ inches Type of Sample/ Coring Device Grab/Split Spoon

Length and Diameter of Coring Device _____ Sampling Interval _____ feet

Land-Surface Elev. _____ feet Surveyed Estimated Datum _____

Drilling Fluid Used _____ Drilling Method Split Spoon/Air Hammer

Drilling Contractor McCall Brothers Driller _____ Helper _____

Prepared By P. Maner Hammer Weight _____ Hammer Drop _____ inches

Sample/Core Depth (feet below land surface)		Core Recovery (feet)	Time/Hydraulic Pressure or Blows per 6 inches	Sample/Core Description
From	To			
0	2			Clay (60%), Light Orange Brown, Sand (30%), Quartz, Very Fine, Light Orange, Silt (10%), Quartz, Pebbles, Trace.
2	4.5			Clay (50%), Light Brown, Sand (20%), Quartz, Very Fine, Subrounded, Silt (20%), Quartz, Organics (10%), Wood, Dark Brown.
4.5	8			Clay (40%), Light Bluish Green to Orange, Sandy, Silty, Sand (30%), Quartz, Fine-Medium, Subrounded, Light Orange, Silt (20%), Quartz.
8	9			Clay (50%), Orange-Reddish Orange, Dense, Silt (20%), Sand (20%) Quartz, Organics (10%), Wood.
9	10.5			Clay (80%), Grayish White to Light Brown, Weathered Bedrock, Silt (10%), Light Orange, Sand (10%), Quartz.
10.5	15			Clay (70%), Light Orange, Silt (20%), Sand (10%).

SAMPLE/CORE LOG

Boring/Well MW-15 Project/No. NC0239.001 Page 1 of 1
 Site Location UNC - Airport Road Drilling Started 7-19-95 Drilling Completed 7-19-95
 Total Depth Drilled _____ feet Hole Diameter 10" inches Type of Sample/Coring Device _____
 Length and Diameter of Coring Device _____ Sampling Interval _____ feet
 Land-Surface Elev. _____ feet Surveyed Estimated Datum _____
 Drilling Fluid Used _____ Drilling Method Air Hammer
 Drilling Contractor McCall Brothers Driller Kenny Helper Dean
 Prepared By D. Calvin Whitfield Hammer Weight _____ Hammer Drop _____ inches

Sample/Core Depth (feet below land surface)		Core Recovery (feet)	Time/Hydraulic Pressure or Blows per 6 inches	Sample/Core Description
From	To			
0	15			Rock Granite
15				Fracture
15	24			Rock
24	29			Void
29	33			Rock Granite
33				Fracture
40				ID, set surface casing at 40' bls
56	57			Fracture, water (chemical odor), OVA 15-20 ppm
57	60			Rock Granite

SAMPLE/CORE LOG

Boring/Well MW-16 Project/No. NC0239.001 Page 1 of 1
 Site Location UNC - Airport Road Drilling Started 7-20-95 Drilling Completed 7-20-95
 Total Depth Drilled 82 feet Hole Diameter 6 inches Type of Sample/
 Length and Diameter of Coring Device _____ Sampling Interval 2 feet
 Land-Surface Elev. _____ feet Surveyed Estimated Datum _____
 Drilling Fluid Used _____ Drilling Method HSA/Air Hammer
 Drilling Contractor McCall Brothers Driller Kenny Helper Dean
 Prepared By Calvin Whifield Hammer Weight _____ Hammer Drop _____ inches

Sample/Core Depth (feet below land surface)		Core Recovery (feet)	Time/Hydraulic Pressure or Blows per 6 inches	Sample/Core Description
From	To			
0	2			Clay (70%), trash (30%), brown to orange, wet, no odor
2	4			Clay (50%), gray brown, trash (50%), wet
4	6			Clay (80%), sand (20%), fine to medium grain, gray to brown, wet
6	8			Same
8	9			Sand, weathered rock (70%), clay (30%), rock, change to 10-1/4
				augers then enter with a 10" air hammer
9	14			Weathered rock
14	16			Comp rock, willset a 6" surface casing to 16' bls
16	30			Rock granite
30				Stop and let well set to see if water will come in
30	60			Rock granite, let set, no water
60	82			Rock granite, no water

SAMPLE/CORE LOG

Boring/Well MW-17 Project/No. NC0239.001 Page 1 of 1

Site Location UNC - Airport Road Drilling Started 7-21-95 Drilling Completed _____

Total Depth Drilled _____ feet Hole Diameter 10.5 inches Type of Sample/
Coring Device Split spoon

Length and Diameter of Coring Device 2" x 2' Sampling Interval 2 feet

Land-Surface Elev. _____ feet Surveyed Estimated Datum _____

Drilling Fluid Used _____ Drilling Method HSA

Drilling Contractor McCall Brothers Driller Kenny Helper Dean

Prepared By Calvin Whitfield Hammer Weight _____ Hammer Drop _____ inches

Sample/Core Depth (feet below land surface)		Core Recovery (feet)	Time/Hydraulic Pressure or Blows per 6 inches	Sample/Core Description
From	To			
0	2			Clay (80%), silty sand (20%), red brown, no odor
2	4			Trash (80%), clay (20%), red brown, wet, trash odor
5				Auger refusal
5	6			Rock
6	15			Trash, clay, wet
15	21			Clay (80%), sand (20%), brown, gray, wet
21	24			Weathered rock
24	26			Rock, casing set at 26' per C. Lovdahl 7-21-95 at 1615 hrs
26	50			Rock, no fracture hit, will wait for water
50	68			Rock granite
68	69			Hit fracture
69	71			Rock granite

SAMPLE/CORE LOG

Boring/Well MW-18 Project/No. NC0239_001 Page 1 of 1

Site Location UNC - Chapel Hill Drilling Started 7-18-95 Drilling Completed 7-19-95

Total Depth Drilled 16 feet Hole Diameter 6 inches Type of Sample/ Coring Device Split Spoon

Length and Diameter of Coring Device 24" x 2" Sampling Interval 2 feet

Land-Surface Elev. _____ feet Surveyed Estimated Datum _____

Drilling Fluid Used None Drilling Method HSA/Air Hammer

Drilling Contractor McCall Brother Driller Kenny Helper _____

Prepared By P. Maner Hammer Weight _____ Hammer Drop _____ inches

Sample/Core Depth (feet below land surface)		Core Recovery (feet)	Time/Hydraulic Pressure or Blows per 6 inches	Sample/Core Description
From	To			
0	10			Clay (40%), Silt (30%) Reddish Orange with Tan Mottling; Sand (30%), Fine to Coarse, Tan; No Odor; Saprolite.
10	15			Bedrock.

SAMPLE/CORE LOG

Boring/Well MW-19 Project/No. NC0239.001 Page 1 of 1

Site Location UNC - Airport Road Drilling Started 7-19-95 Drilling Completed 7-19-95

Total Depth Drilled _____ feet Hole Diameter _____ inches Type of Sample/ Coring Device Split spoon

Length and Diameter of Coring Device 2" x 2' Sampling Interval 2 feet

Land-Surface Elev. _____ feet Surveyed Estimated Datum _____

Drilling Fluid Used None Drilling Method HSA

Drilling Contractor McCall Brothers Driller Kenny Helper _____

Prepared By Calvin Whitfield Hammer Weight _____ Hammer Drop _____ inches

Sample/Core Depth (feet below land surface)		Core Recovery (feet)	Time/Hydraulic Pressure or Blows per 6 inches	Sample/Core Description
From	To			
0	2			Clay (80%), silt (20%), with organic staining, reddish orange with tan
				dry, no odor
2	4			Same as above, with gravel size rock fragments
4	6			Weathered rock
6	10			Weathered rock
10				Rock, TD



SAMPLE/CORE LOG

Boring/Well MW-20 Project/No. NC0239.001 Page 1 of 1

Site Location UNC - Airport Road Drilling Started 7-27-95 Drilling Completed 7-27-95

Total Depth Drilled 25 feet Hole Diameter 6 inches Type of Sample/Coring Device Blow back

Length and Diameter of Coring Device _____ Sampling Interval _____ feet

Land-Surface Elev. _____ feet Surveyed Estimated Datum _____

Drilling Fluid Used _____ Drilling Method Air Hammer

Drilling Contractor McCall Brothers Driller Pete Helper Chris

Prepared By Calvin Whitfield Hammer Weight _____ Hammer Drop _____ inches

Sample/Core Depth (feet below land surface)		Core Recovery (feet)	Time/Hydraulic Pressure or Blows per 6 inches	Sample/Core Description
From	To			

0	17			Clay (80%), silt (20%), red brown, damp, no odor
17	19			Sandstone, tan
19	24			Sand (70%), Clay (30%), tan brown, wet
24	25			Rock granite

SAMPLE/CORE LOG

NC0239.001

Boring/Well _____ Project/No. _____

Site UNC - Airport Road Drilling Started 7-27-95 Drilling Completed 7-27-95

Location _____ Type of Sample/ Coring Device Blow back

Total Depth Drilled 20 feet Hole Diameter 6 inches

Length and Diameter of Coring Device _____ Sampling Interval _____ feet

Land-Surface Elev. _____ feet Surveyed Estimated Datum _____ Air Hammer

Drilling Fluid Used _____ Drilling Method _____

Drilling Contractor McCall Brothers Driller Pete Helper Chris

Prepared By calvin whitfield Hammer _____ Drop _____ inches

Sample/Core Depth (feet below land surface)		Core Recovery (feet)	Time/Hydraulic Pressure or Blows per 6 inches	Sample/Core Description
From	To			
0	4			Clay (80%), silt (20%), red brown, dry
4	15			Rock granite
15				Fracture
15	17			Rock granite
17				Fracture
17	20			Rock granite

SAMPLE/CORE LOG

Boring/Well MW-22 Project/No. NC0239.001 Page 1 of 1

Site Location UNC - Airport Road Drilling Started _____ Drilling Completed _____

Total Depth Drilled 10 feet Hole Diameter _____ inches Type of Sample/ Coring Device _____

Length and Diameter of Coring Device _____ Sampling Interval _____ feet

Land-Surface Elev. _____ feet Surveyed Estimated Datum _____

Drilling Fluid Used _____ Drilling Method _____

Drilling Contractor _____ Driller _____ Helper _____

Prepared By P. Maner Hammer Weight _____ Hammer Drop _____ inches

Sample/Core Depth (feet below land surface)		Core Recovery (feet)	Time/Hydraulic Pressure or Blows per 6 inches
From	To		

Sample/Core Description

Sample/Core Depth (feet below land surface)		Core Recovery (feet)	Time/Hydraulic Pressure or Blows per 6 inches	Sample/Core Description
From	To			
0	2			Clay (80%), silt (10%), sand (10%), orange
2	6			Granite (100%), possible boulder
6	7			Granite and saprolite, weathered granite, soil, moist
7	10			Bedrock, granite, gray, weathered and fractured

SAMPLE/CORE LOG

Boring/Well MW-24 Project/No. NC0239.001 Page 1 of 1
 Site UNC - Chapel Hill Drilling Started 1-10-96 Drilling Completed _____
 Location _____

Total Depth Drilled 200 feet Hole Diameter 6"/10" inches Type of Sample/
 Coring Device _____

Length and Diameter of Coring Device _____ Sampling Interval _____ feet

Land-Surface Elev. _____ feet Surveyed Estimated Datum _____

Drilling Fluid Used _____ Drilling Method Air Hammer

Drilling Contractor McCall Brothers Driller B. Williamson Helper _____

Prepared By C. Whitfield Hammer _____ Hammer _____
 Drop _____ inches

Sample/Core Depth (feet below land surface)	Core Recovery (feet)	Time/Hydraulic Pressure or Blows per 6 Inches	Sample/Core Description
From	To		

Sample/Core Depth (feet below land surface)	Core Recovery (feet)	Time/Hydraulic Pressure or Blows per 6 Inches	Sample/Core Description
From	To		
0	11		Clay (70%); Silt (20%); Sand (10%); Damp; Brown Red; No Odor.
11			Rock.
24			Fracture. No Water.
46			Fracture.
56			Fracture.
100			Driller Hit Fracture w/10" Hammer.
105			Bottom of Hole. Set Casing.
116			Fracture. No Water.
120			Fracture. No Water.
200			Rock. Stop Drilling.

SAMPLE/CORE LOG

Boring/Well MW-25 Project/No. NC0239.001 Page 1 of 1

Site Location UNC - Chapel Hill Drilling Started 1-23-96 Drilling Completed _____

Total Depth Drilled 15 feet Hole Diameter 8 inches Type of Sample/ Coring Device _____

Length and Diameter of Coring Device _____ Sampling Interval _____ feet

Land-Surface Elev. _____ feet Surveyed Estimated Datum _____

Drilling Fluid Used _____ Drilling Method Air Hammer

Drilling Contractor McCall Brothers Driller _____ Helper _____

Prepared By C. Whitfield Hammer Weight _____ Hammer Drop _____ inches

Sample/Core Depth (feet below land surface)		Core Recovery (feet)	Time/Hydraulic Pressure or Blows per 6 Inches	Sample/Core Description
From	To			

0	4			(Sandy Clay) Clay (70%), Sand (30%) Fine Grained; Brown Red; Wet; No Odor.
4	12			Clay (70%), Silt (30%); Red Brown, Same, Tan Brown at 10-ft; Dry; No Odor.
12	13			Wet Zone.
13				Soft Weathered Rock.
15				Bottom of Hole.

SAMPLE/CORE LOG

Boring/Well MW-26 Project/No. NC0239.001 Page 1 of 1

Site Location UNC - Chapel Hill Drilling Started 1-23-96 Drilling Completed 1-24-96

Total Depth Drilled 180 feet Hole Diameter 6 inches Type of Sample/ Coring Device _____

Length and Diameter of Coring Device _____ Sampling Interval _____ feet

Land-Surface Elev. _____ feet Surveyed Estimated Datum _____

Drilling Fluid Used _____ Drilling Method Air Hammer

Drilling Contractor McCall Brothers Driller B. Williamson Helper Jim

Prepared By C. Whitfield Hammer Weight _____ Hammer Drop _____ inches

Sample/Core Depth (feet below land surface)	Core Recovery (feet)	Time/Hydraulic Pressure or Blows per 6 Inches	Sample/Core Description
From	To		

0	6		Clay (60%), Silt (30%), Sand (10%) Fine Grained, Tan Brown, Moist; No Odor.
6	13		Becomes Red Brown.
13	14.5		Weathered Rock, Grey.
14.5	20		Install a 6-3/4" Outer Casing and Pressure Grout.
20	125.5		Rock.
125.5	126		Fracture.
126	180		Rock.
180			Bottom of Hole.

SAMPLE/CORE LOG

Boring/Well MW-27 Project/No. NC0239.001 Page 1 of 1

Site Location UNC - Chapel Hill Drilling Started 1-17-96 Drilling Completed _____

Total Depth Drilled _____ feet Hole Diameter 6"/8"/21" inches Type of Sample/ Coring Device _____

Length and Diameter of Coring Device _____ Sampling Interval _____ feet

Land-Surface Elev. _____ feet Surveyed Estimated Datum _____

Drilling Fluid Used _____ Drilling Method Air Hammer

Drilling Contractor McCall Brothers Driller B. Williamson Helper Jim

Prepared By C. Whitfield Hammer Weight _____ Hammer Drop _____ inches

Sample/Core Depth (feet below land surface)		Core Recovery (feet)	Time/Hydraulic Pressure or Blows per 6 inches	Sample/Core Description
From	To			

0	8			Clay (10%); Sand (40%) Fine Grained; Tan Brown; Damp; No Odor.
8	13			Weathered Rock.
13				Rock.
20				Stopped Drilling. Will Install Temporary Casing.
60				Rock.
87	100			Rock Becoming Softer.
100				Stopped Drilling.
100	120			Rock.

SAMPLE/CORE LOG

Boring/Well MW-28 Project/No. NC0239.001 Page 1 of 1
 Site Location UNC - Chapel Hill Drilling Started 1-15-96 Drilling Completed 1-15-96

Total Depth Drilled 46 feet Hole Diameter 8 inches Type of Sample/ Coring Device _____
 Length and Diameter of Coring Device _____ Sampling Interval _____ feet
 Land-Surface Elev. _____ feet Surveyed Estimated Datum _____
 Drilling Fluid Used _____ Drilling Method Air Hammer

Drilling Contractor McCall Brothers Driller B. Williamson Helper Tommy & Jim
 Prepared By C. Whitfield Hammer Weight _____ Hammer Drop _____ inches

Sample/Core Depth (feet below land surface)		Core Recovery (feet)	Time/Hydraulic Pressure or Blows per 6 inches	Sample/Core Description
From	To			

0	10			Clay (70%); Sandy Silt (30%); Brown Red; Moist; No Odor.
10	15			Rock.
15	18			Soil Pocket.
18	39			Rock.
39	42			Soft Drilling.
42				Hit Water.
42	46			Rock.
46				Bottom of Hole.

Appendix E

Monitor Well Construction Diagrams and Well Construction Records



DRAFTER: A. WARREN

APPROVED: C. LAWSON

CHECKED: C. LOYDAHL

WCD-002A

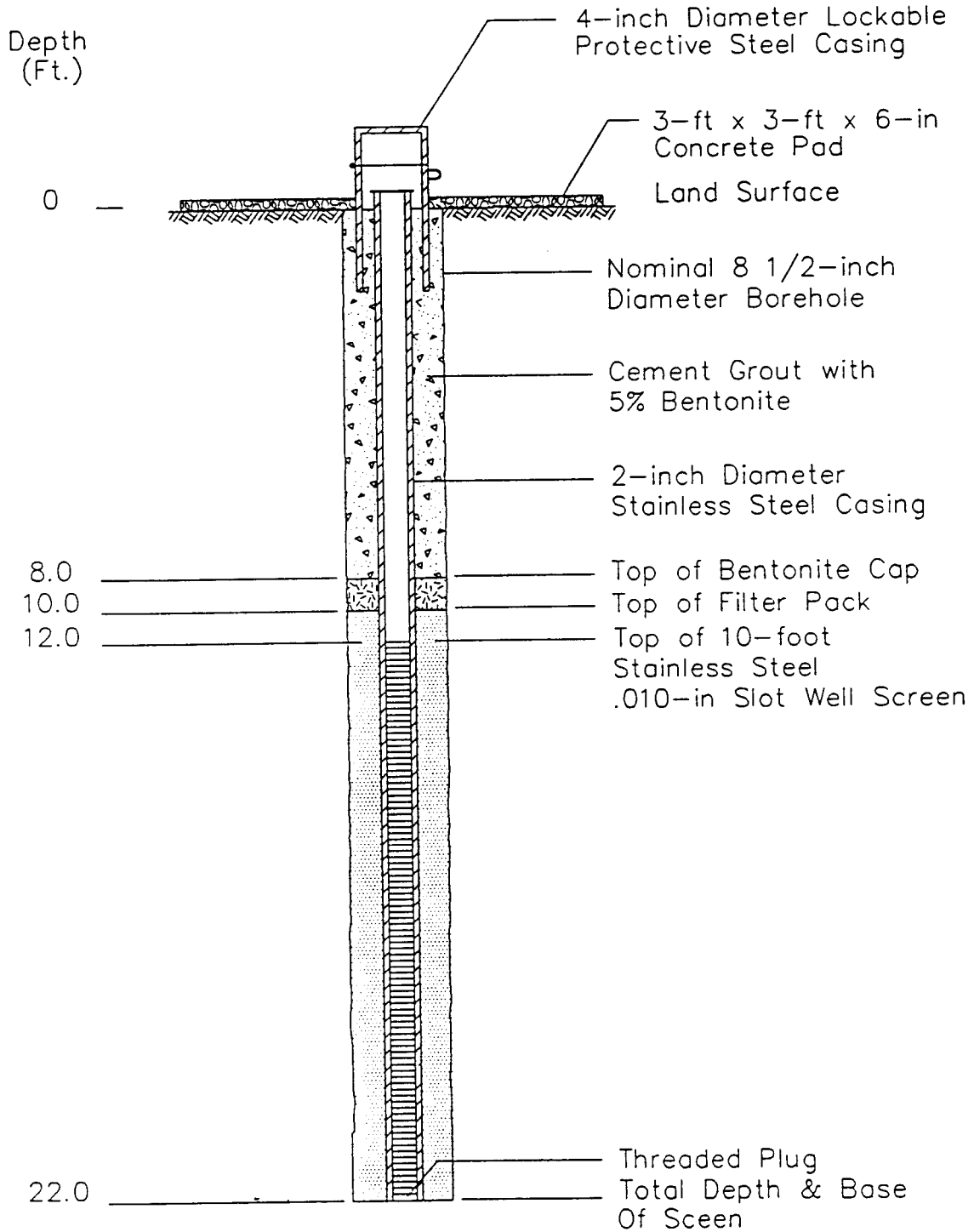
DRAWING NO.

FILE: UNC-CHAP

PRJCT NO.: NC0239.001

DWG DATE: 11AUG95

Location Chapel Hill, N.C.	Coordinates N 796956.7154 E 1982259.422	Ground Elevation	Relative Top-of-Casing Elevation 472.55
Geologist C. Whitfield	Drilling Contractor McCall Brothers	Drilling Method Hollow Stem-Auger	Rig Type
Development Method Redi-Flow Subm. Pump	Volume Evacuated 40 Gallons	Well Completed 4-11-95	Formation Monitored



Not To Scale

DRAFTER: A. WARREN

APPROVED: C. LAWSON

CHECKED: C. LOYDAHL

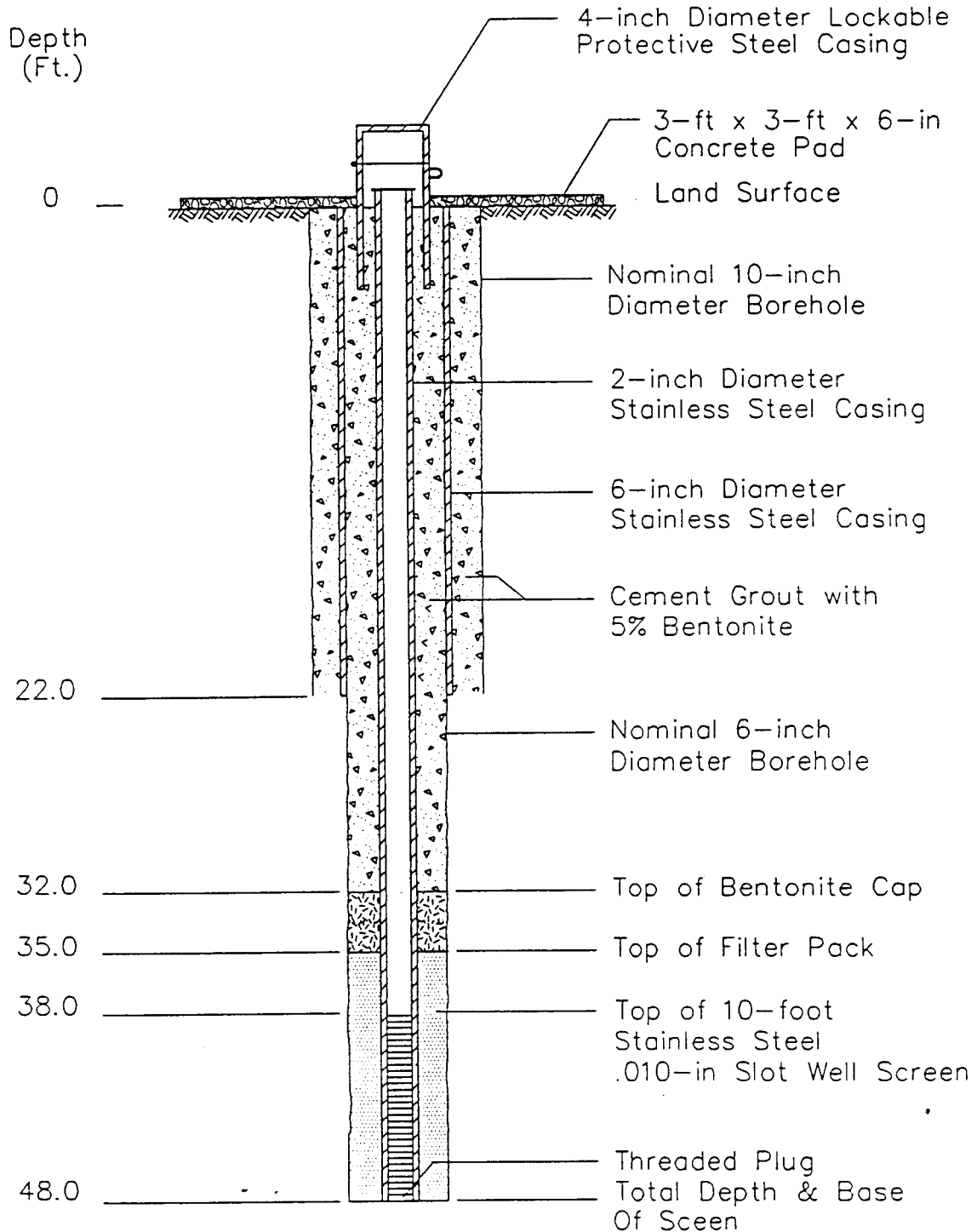
DRAWING NO: WCD-003

FILE: UNC-CHAP

PRJCT NO.: NC0239.001

DWG DATE: 06JUN95

Location Chapel Hill, N.C.	Coordinates N 796934.5229 E 1982255.129	Ground Elevation	Relative Top-of-Casing Elevation 475.01
Geologist C. Whitfield	Drilling Contractor McCall Brothers	Drilling Method Air Rotary	Rig Type
Development Method Redi-Flow Subm. Pump	Volume Evacuated 17 Gallons	Well Completed 4-21-95	Formation Monitored



Not To Scale

Location Chapel Hill, N.C.	Coordinates N 796956.2920 E 1982406.427	Ground Elevation	Relative Top-of-Casing Elevation 476.25
Geologist C. Whitfield	Drilling Contractor McCall Brothers	Drilling Method Air Rotary	Rig Type
Development Method Redi-Flow Subm. Pump	Volume Evacuated 11 Gallons	Well Completed 4-21-95	Formation Monitored

DRAFTER: A. WARREN

APPROVED: C. LAWSON

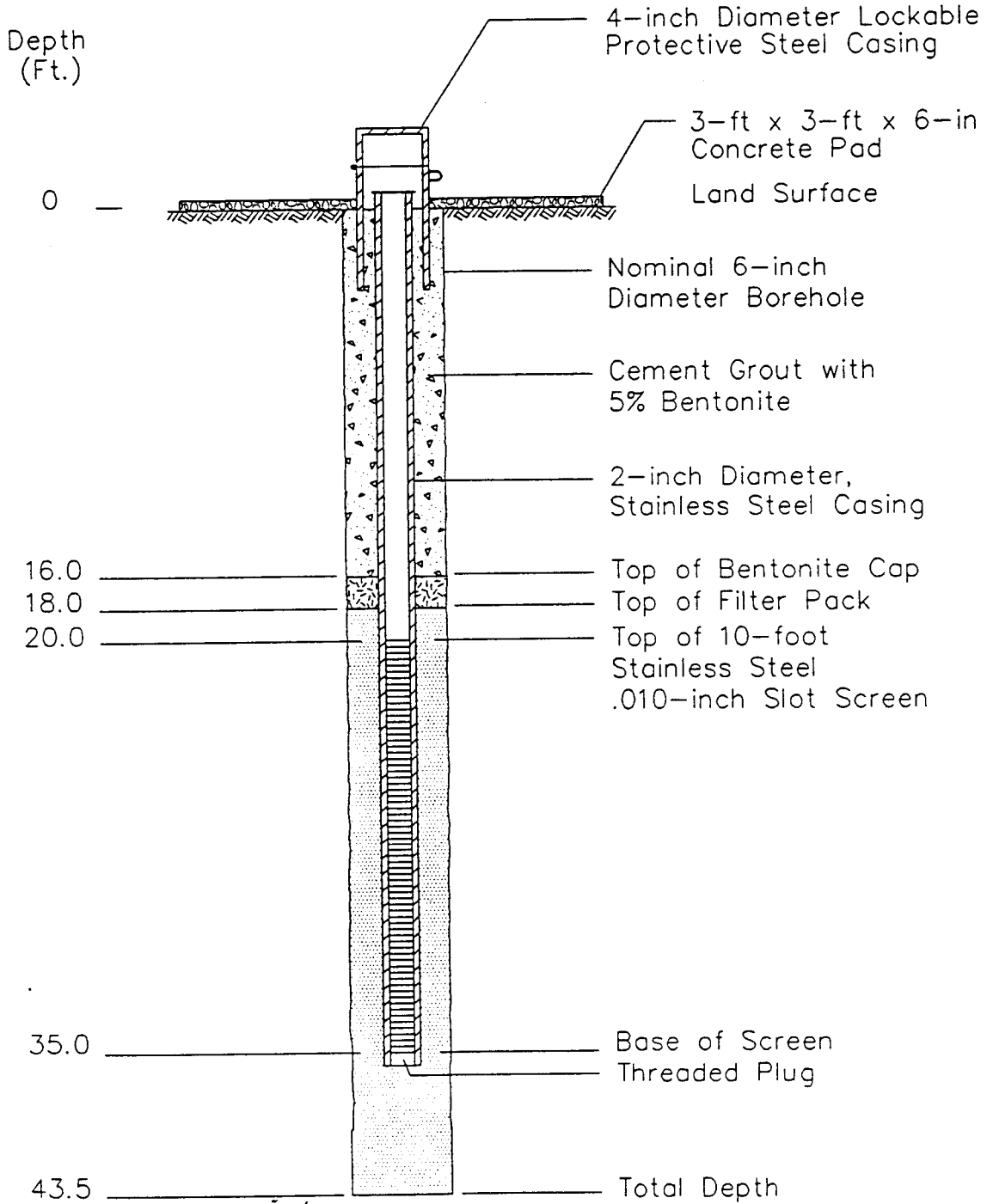
CHECKED: C. LOVDAHL

DRAWING NO: WCD-002

FILE: UNC-CHAP

PROJECT NO.: NC0239.001

DWG DATE: 06JUN95



Not To Scale

DRAFTER: A. WARREN

APPROVED: C. LAWSON

CHECKED: C. LOVDAHL

WCD-002A

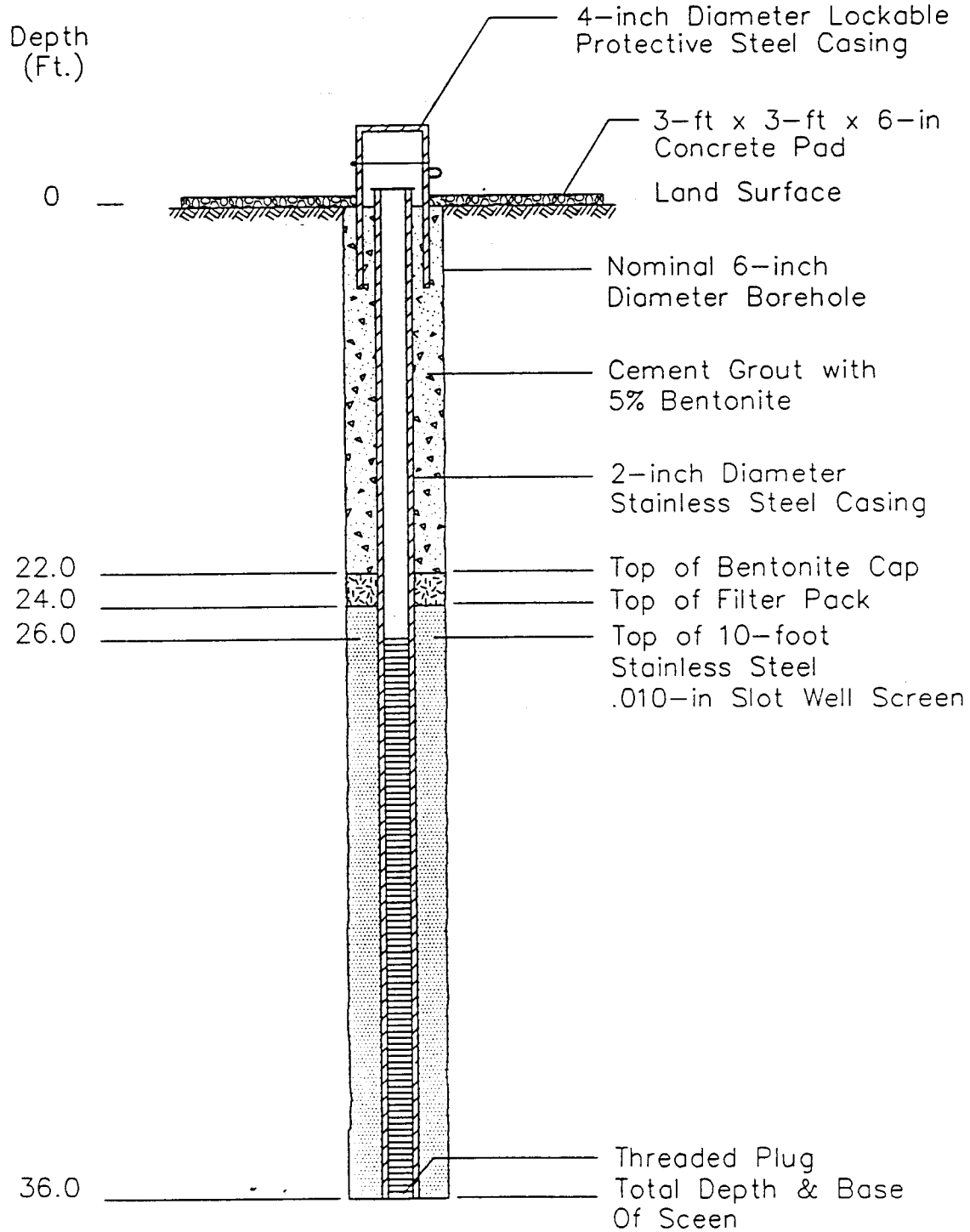
DRAWING NO:

FILE: UNC-CHAP

PRJCT NO.: NC0239.001

DWG DATE: 11AUG95

Location Chapel Hill, N.C.	Coordinates N 797115.0650 E 1982555.525	Ground Elevation	Relative Top-of-Casing Elevation 472.78
Geologist C. Whitfield	Drilling Contractor McCall Brothers	Drilling Method Air Rotary	Rig Type
Development Method Redi-Flow Subm. Pump	Volume Evacuated 60 Gallons	Well Completed 4-18-95	Formation Monitored

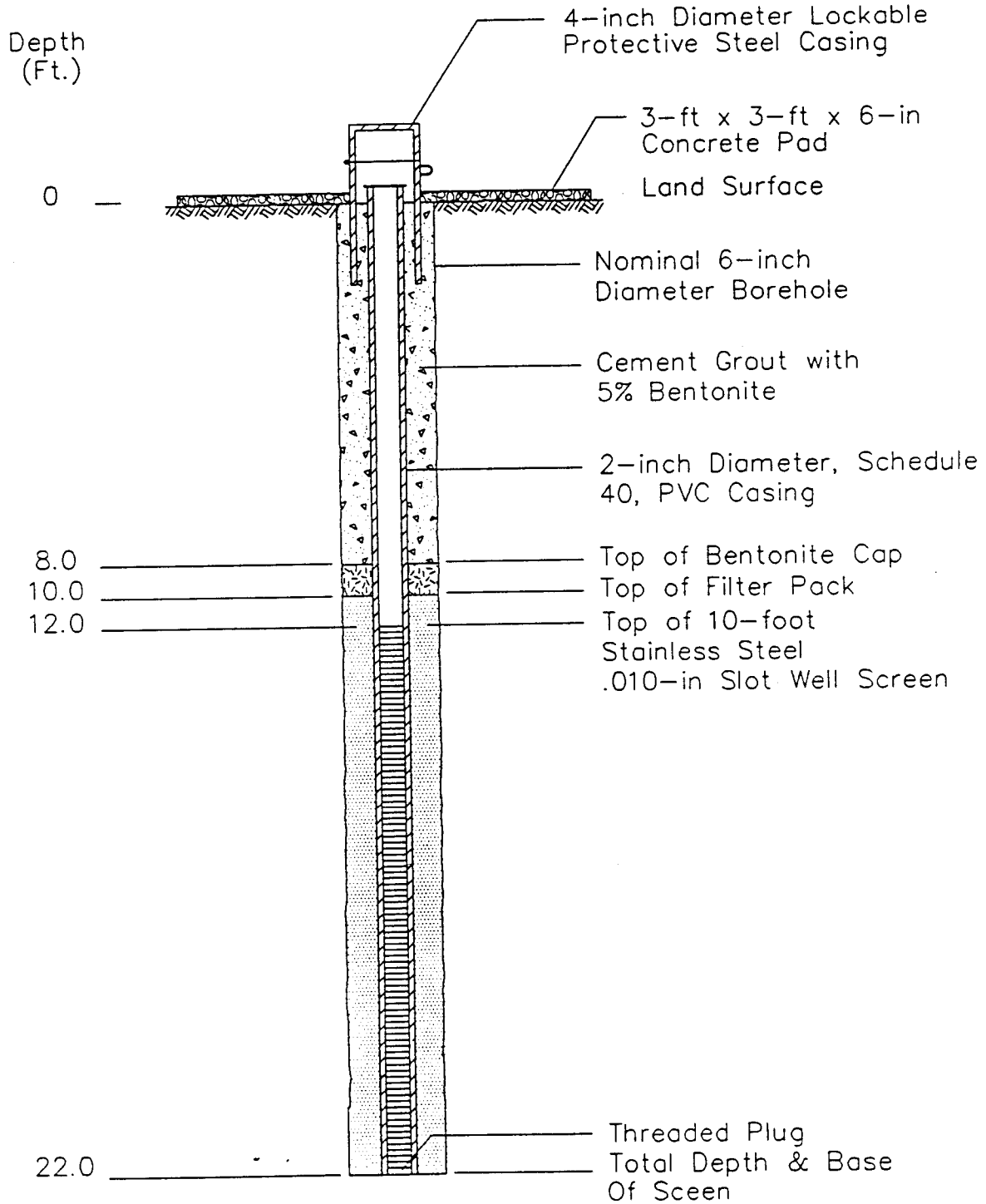


Not To Scale

WELL CONSTRUCTION DIAGRAM

Well Number MW-12
Client University of N.C. at Chapel Hill

Location Chapel Hill, N.C.	Coordinates N 796967.5808 E 1982042.438	Ground Elevation	Relative Top-of-Casing Elevation 465.81
Geologist C. Whitfield	Drilling Contractor McCall Brothers	Drilling Method Air Rotary	Rig Type
Development Method Redi-Flow Subm. Pump	Volume Evacuated 5 Gallons	Well Completed 4-13-95	Formation Monitored



Not To Scale

DRAFTER: A. WARREN
APPROVED: C. LAWSON
CHECKED: C. LOYDAHL
DRAWING NO: WCD-002A
FILE: UNC-CHAP
PRJCT NO.: NC0239.001
DWG DATE: 11AUG95

Location Chapel Hill, N.C.	Coordinates N 797086.2540 E 1982165.050	Ground Elevation	Relative Top-of-Casing Elevation 467.60
Geologist C. Whitfield	Drilling Contractor McCall Brothers	Drilling Method Air Rotary	Rig Type
Development Method Redi-Flow Subm. Pump	Volume Evacuated	Well Completed 4-19-95	Formation Monitored

DRAFTER: A. WARREN

APPROVED: C. LAWSON

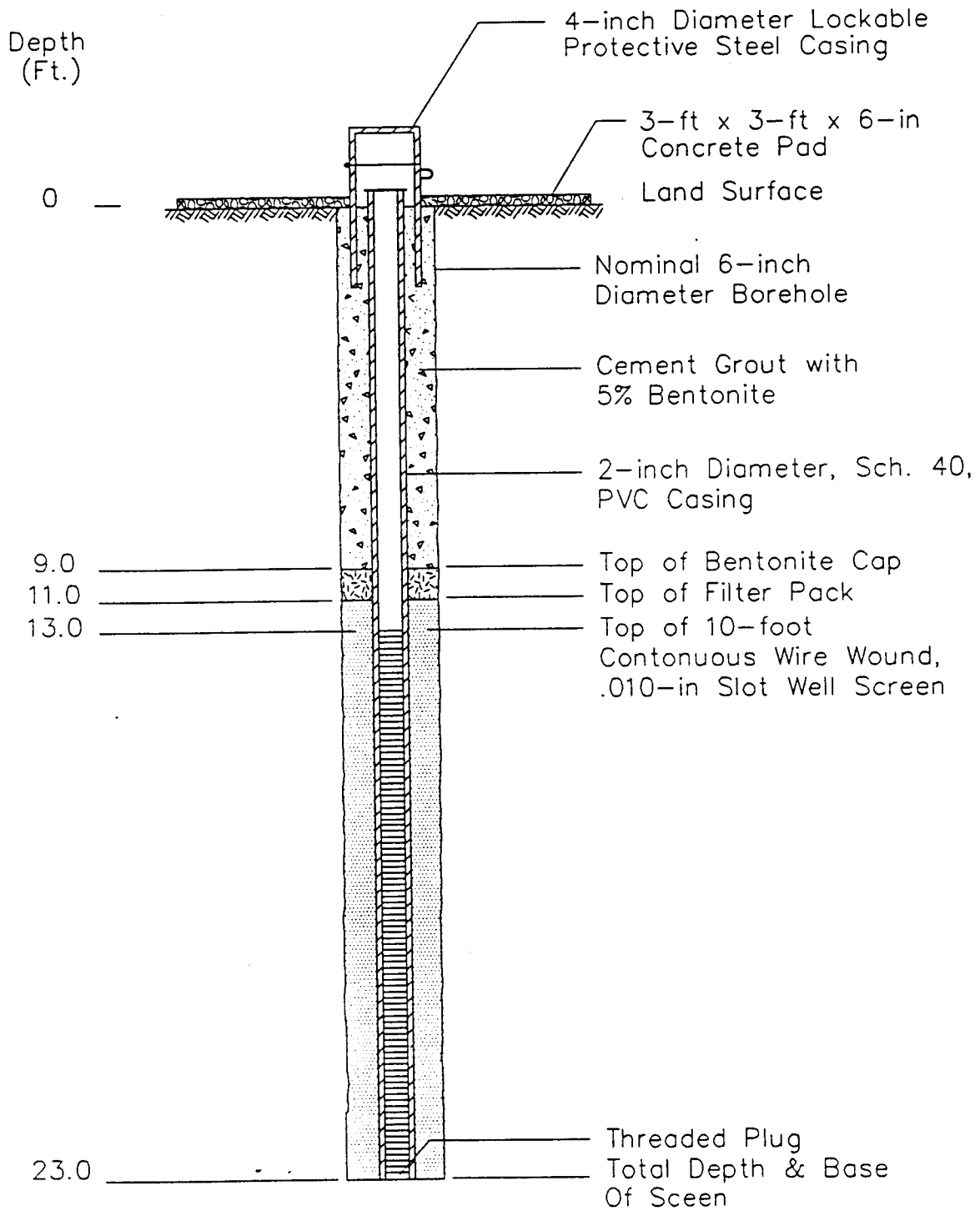
CHECKED: C. LOVDAHL

DRAWING NO: WCD-002A

FILE: UNC-CHAP

PRJCT NO.: NC0239.001

DWG DATE: 11AUG95



Not To Scale

DRAFTER: A. WARREN

APPROVED: C. LAWSON

CHECKED: C. LOVD AHL

WCD-002D

DRAWING NO:

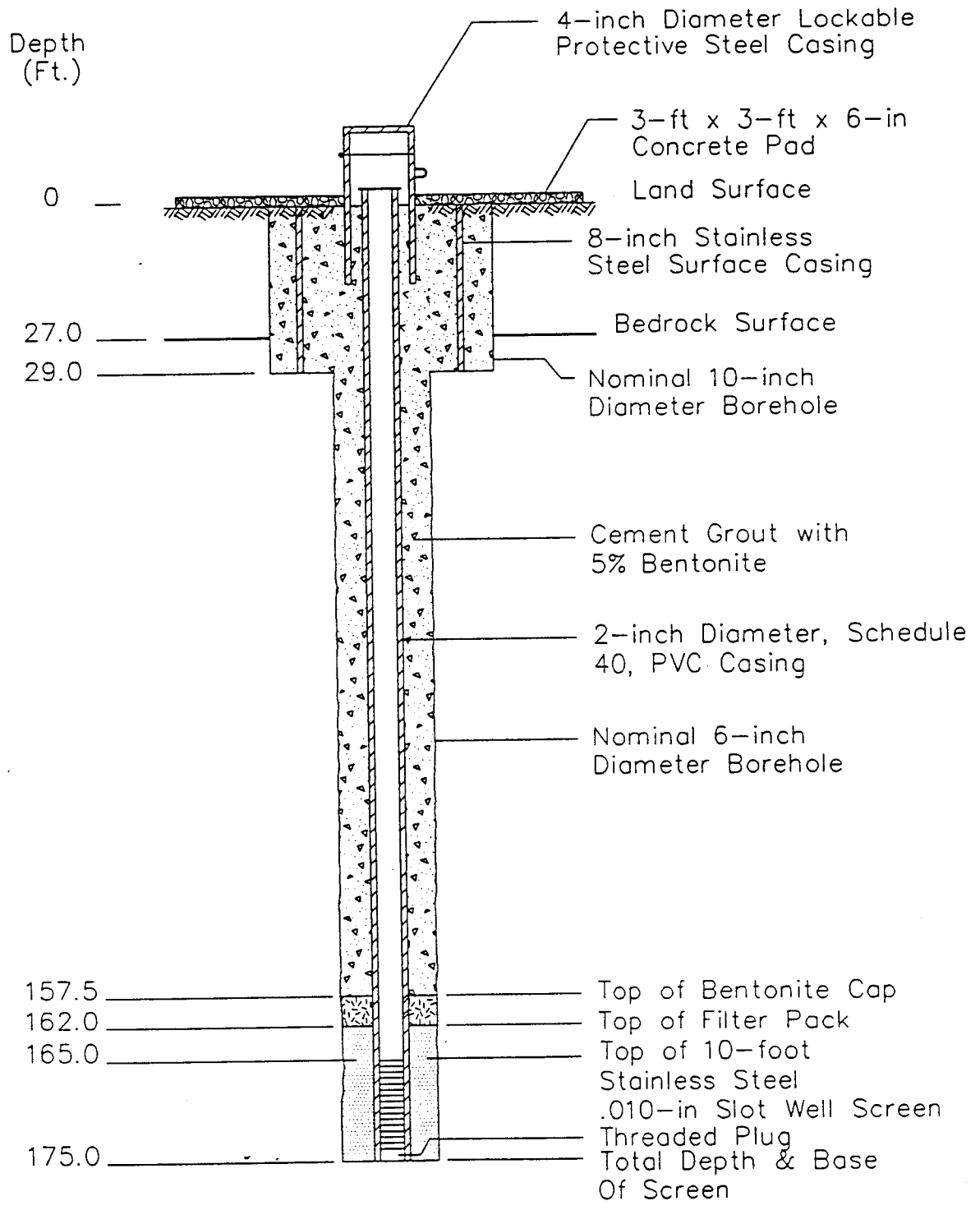
UNC-CHAP

FILE:

PRJCT NO.: NC0239.001

DWG DATE: 11AUG95

Location Chapel Hill, N.C.	Coordinates	Ground Elevation	Relative Top-of-Casing Elevation
Geologist P. Maner	Drilling Contractor McCall Brothers	Drilling Method Air Rotary & Hollow Stem Auger	Rig Type
Development Method Redi-Flow Subm. Pump	Volume Evacuated	Well Completed 8-11-95	Formation Monitored



Not To Scale

WELL CONSTRUCTION DIAGRAM

Well Number MW-15

Client University of N.C. at Chapel Hill

DRAFTER: A. WARREN

APPROVED: C. LAWSON

CHECKED: C. LOVDAHL

WCD-002B

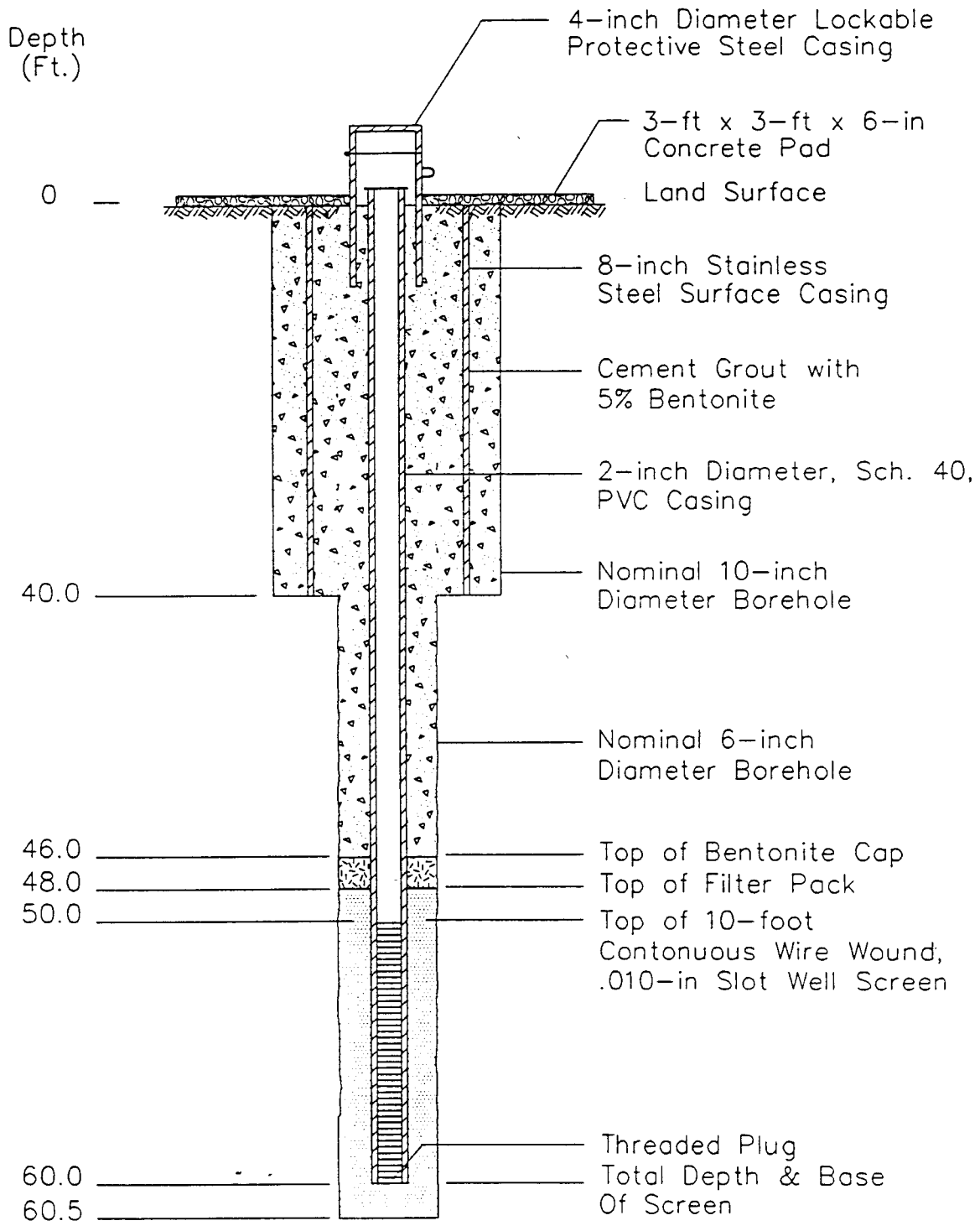
DRAWING NO: UNC-CHAP

FILE: UNC-CHAP

PRJCT NO.: NC0239.001

DWG DATE: 11AUG95

Location Chapel Hill, N.C.	Coordinates	Ground Elevation	Relative Top-of-Casing Elevation
Geologist C. Whitfield	Drilling Contractor McCall Brothers	Drilling Method Air Hammer	Rig Type
Development Method Redi-Flow Subm. Pump	Volume Evacuated 40 Gallons	Well Completed 7-20-95	Formation Monitored



Not To Scale

DRAFTER: A. WARREN

APPROVED: C. LAWSON

CHECKED: C. LOVDAHL

WCD-002C

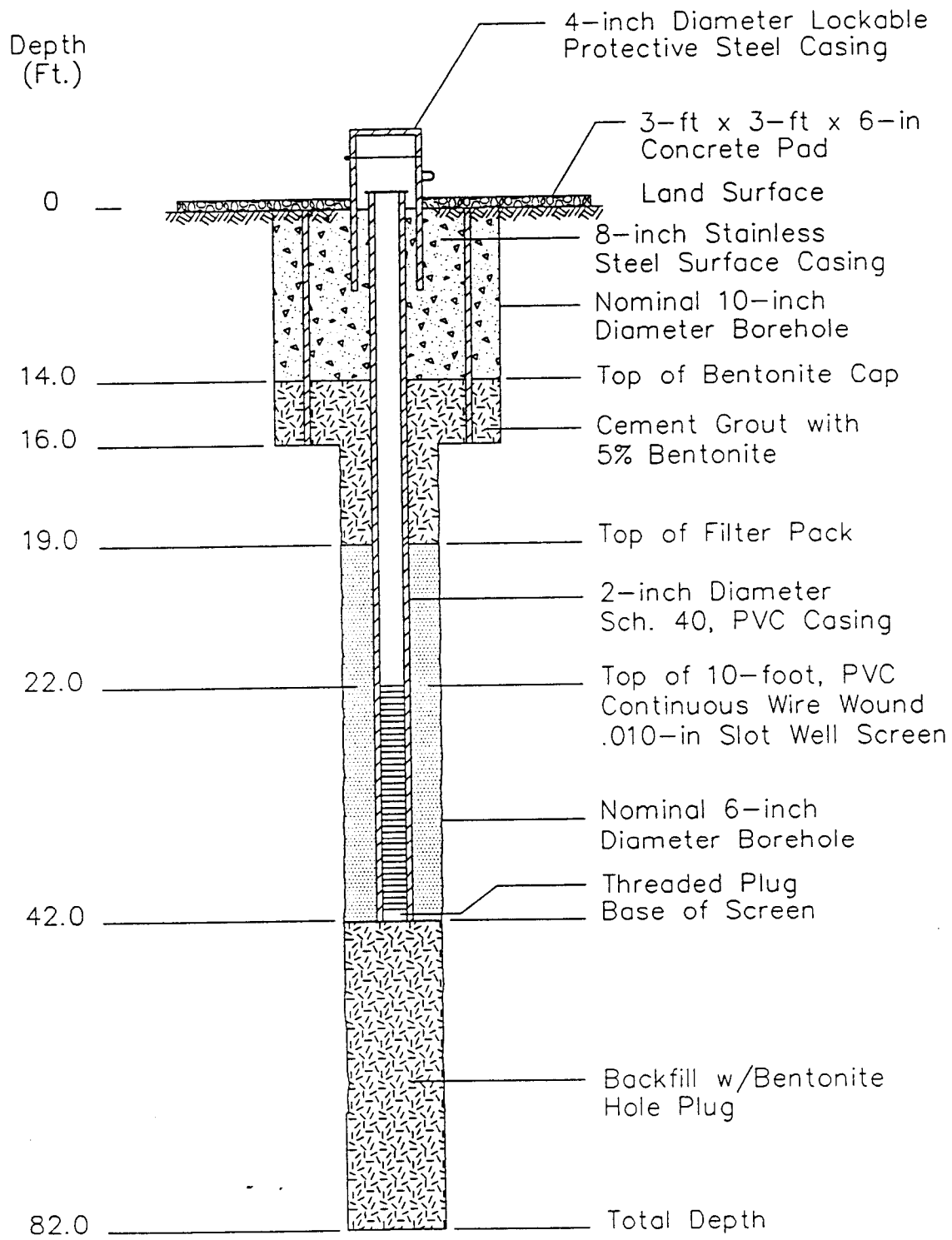
DRAWING NO: WCD-002C

FILE: UNC-CHAP

PRJCT NO.: NC0239.001

DWG DATE: 11AUG95

Location Chapel Hill, N.C.	Coordinates	Ground Elevation	Relative Top-of-Casing Elevation
Geologist C. Whitfield	Drilling Contractor McCall Brothers	Drilling Method Air Hammer & Hollow Stem Auger	Rig Type
Development Method Redi-Flow Subm. Pump	Volume Evacuated 18 Gallons	Well Completed 7-21-95	Formation Monitored



Not To Scale

DRAFTER: A. WARREN

APPROVED: C. LAWSON

CHECKED: C. LOVDAHL

WCD-002B

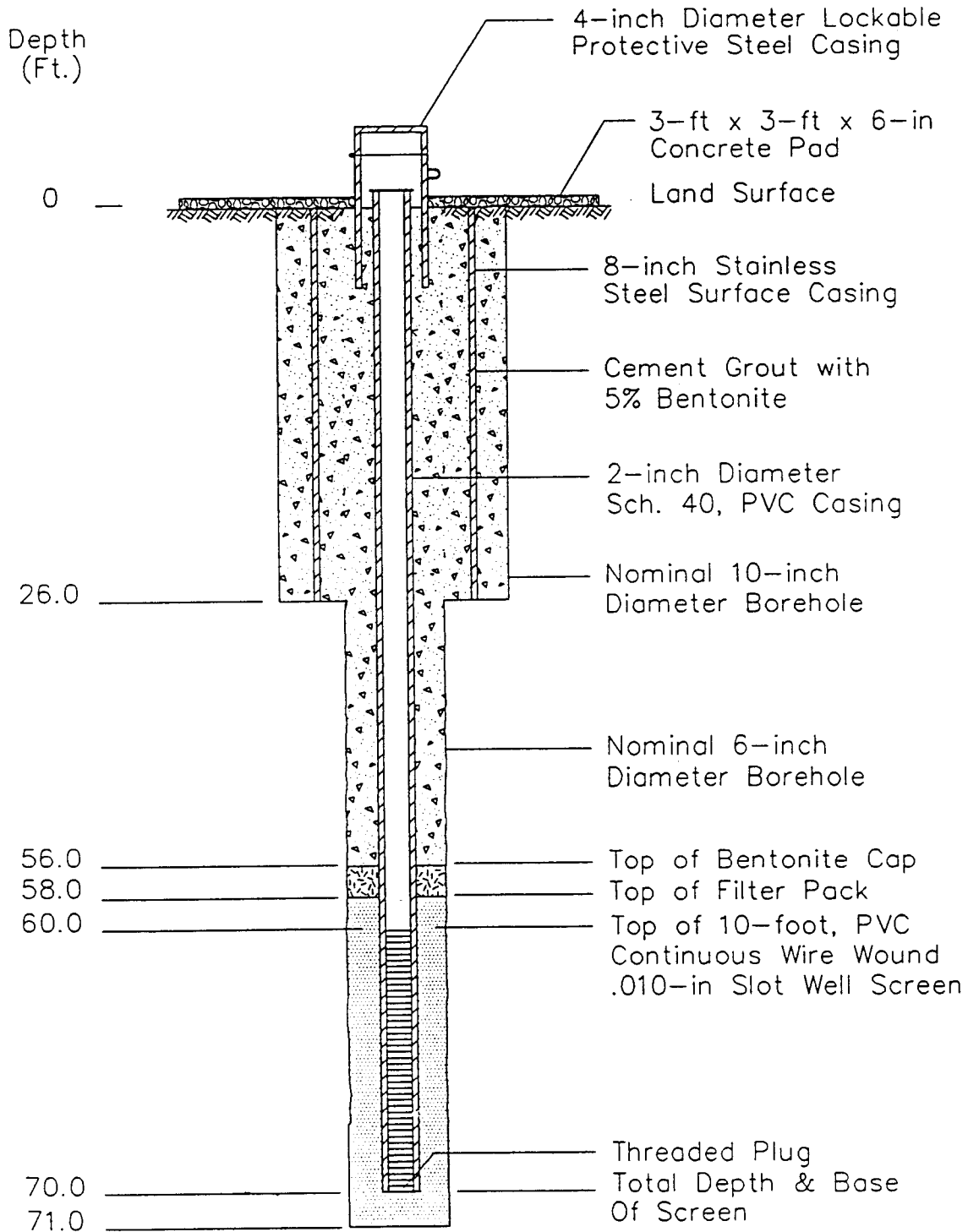
DRAWING NO:

FILE: UNC-CHAP

PRJCT NO.: NC0239.001

DWG DATE: 11AUG95

Location Chapel Hill, N.C.	Coordinates	Ground Elevation	Relative Top-of-Casing Elevation
Geologist C. Whitfield	Drilling Contractor McCall Brothers	Drilling Method Air Hammer & Hollow Stem Auger	Rig Type
Development Method Redi-Flow Subm. Pump	Volume Evacuated 30 Gallons	Well Completed 7-24-95	Formation Monitored



Not To Scale

DRAFTER: A. WARREN

APPROVED: C. LAWSON

CHECKED: C. LOVDAHL

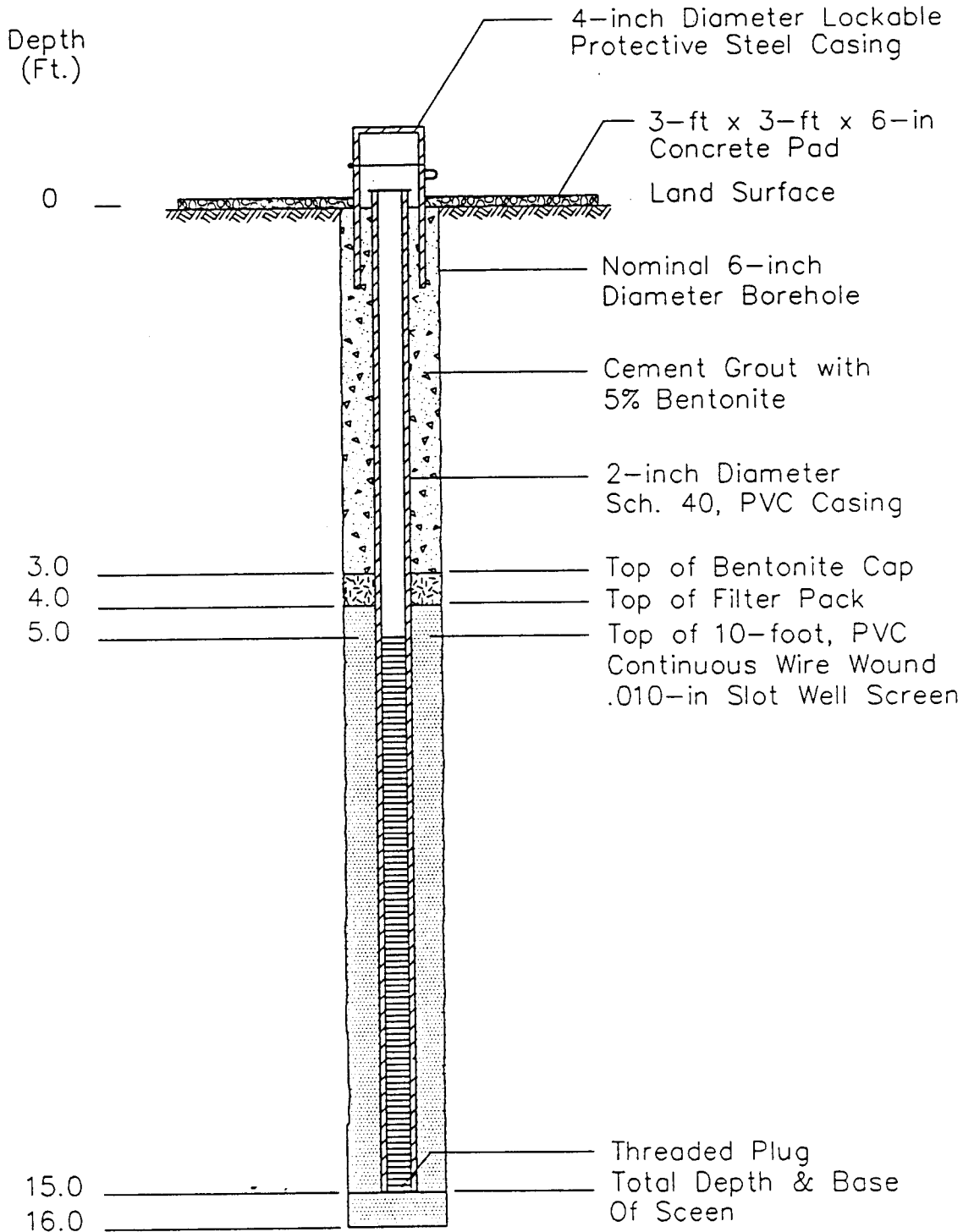
DRAWING NO: WCD-002A

FILE: UNC-CHAP

PRJCT NO.: NC0239.001

DWG DATE: 11AUG95

Location Chapel Hill, N.C.	Coordinates	Ground Elevation	Relative Top-of-Casing Elevation
Geologist C. Whitfield	Drilling Contractor McCall Brothers	Drilling Method Air Rotary	Rig Type
Development Method Redi-Flow Subm. Pump	Volume Evacuated 6 Gallons	Well Completed 7-19-95	Formation ¹ Monitored



Not To Scale

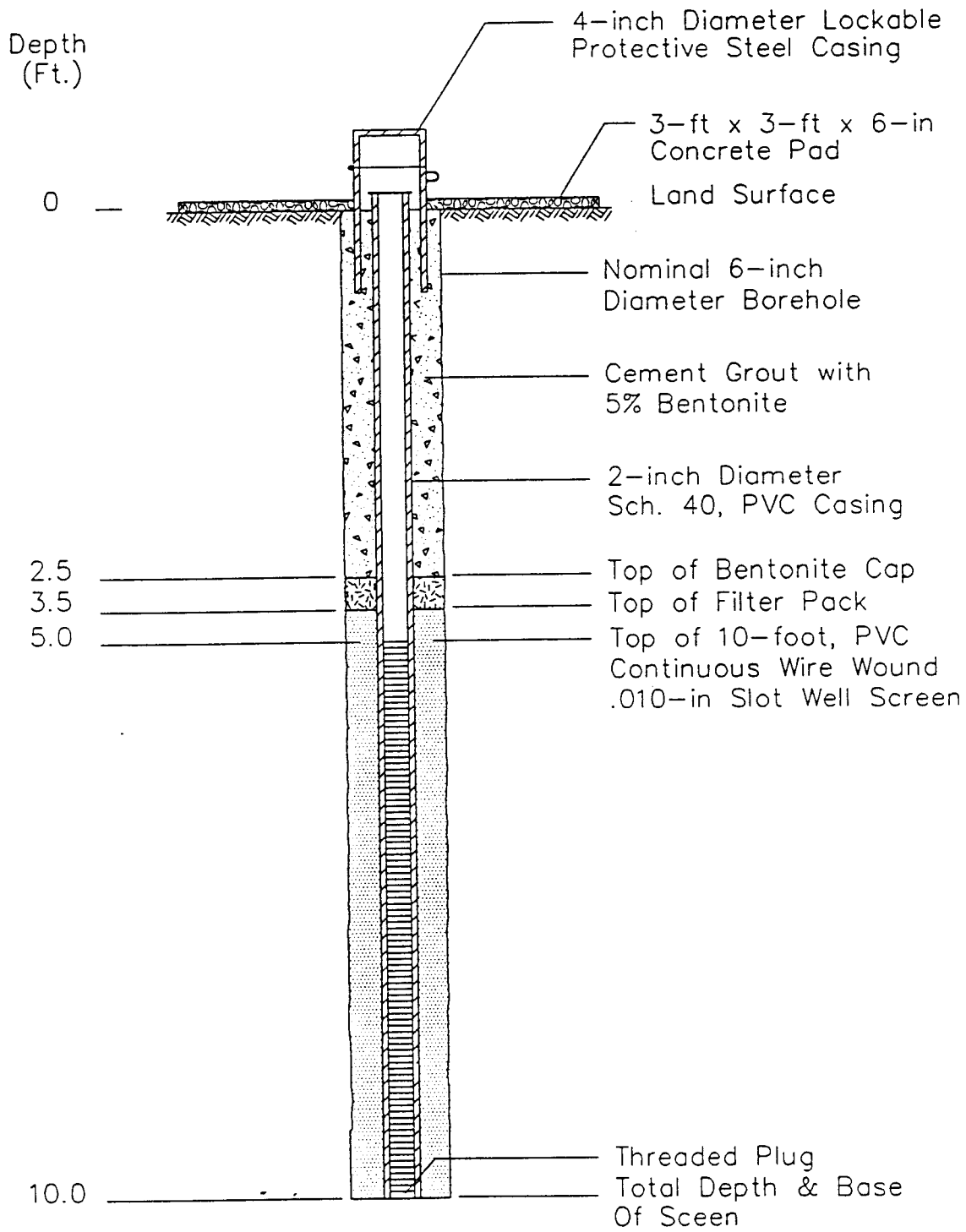
WELL CONSTRUCTION DIAGRAM

Well Number MW-19

Client
University of N.C. at Chapel Hill

DRAFTER: A. WARREN
 APPROVED: C. LAWSON
 CHECKED: C. LOYDAHL
 WCD-002A
 DRAWING NO:
 FILE: UNC-CHAP
 PRJCT NO.: NC0239.001
 DWG DATE: 11AUG95

Location Chapel Hill, N.C.	Coordinates	Ground Elevation	Relative Top-of-Casing Elevation
Geologist C. Whitfield	Drilling Contractor McCall Brothers	Drilling Method Hollow Stem Auger	Rig Type
Development Method Redi-Flow Subm. Pump	Volume Evacuated 8 Gallons	Well Completed 7-19-95	Formation Monitored



Not To Scale

WELL CONSTRUCTION DIAGRAM

Well Number MW-20
Client University of N.C. at Chapel Hill

DRAFTER: A. WARREN

APPROVED: C. LAWSON

CHECKED: C. LOYDAHL

WCD-002A

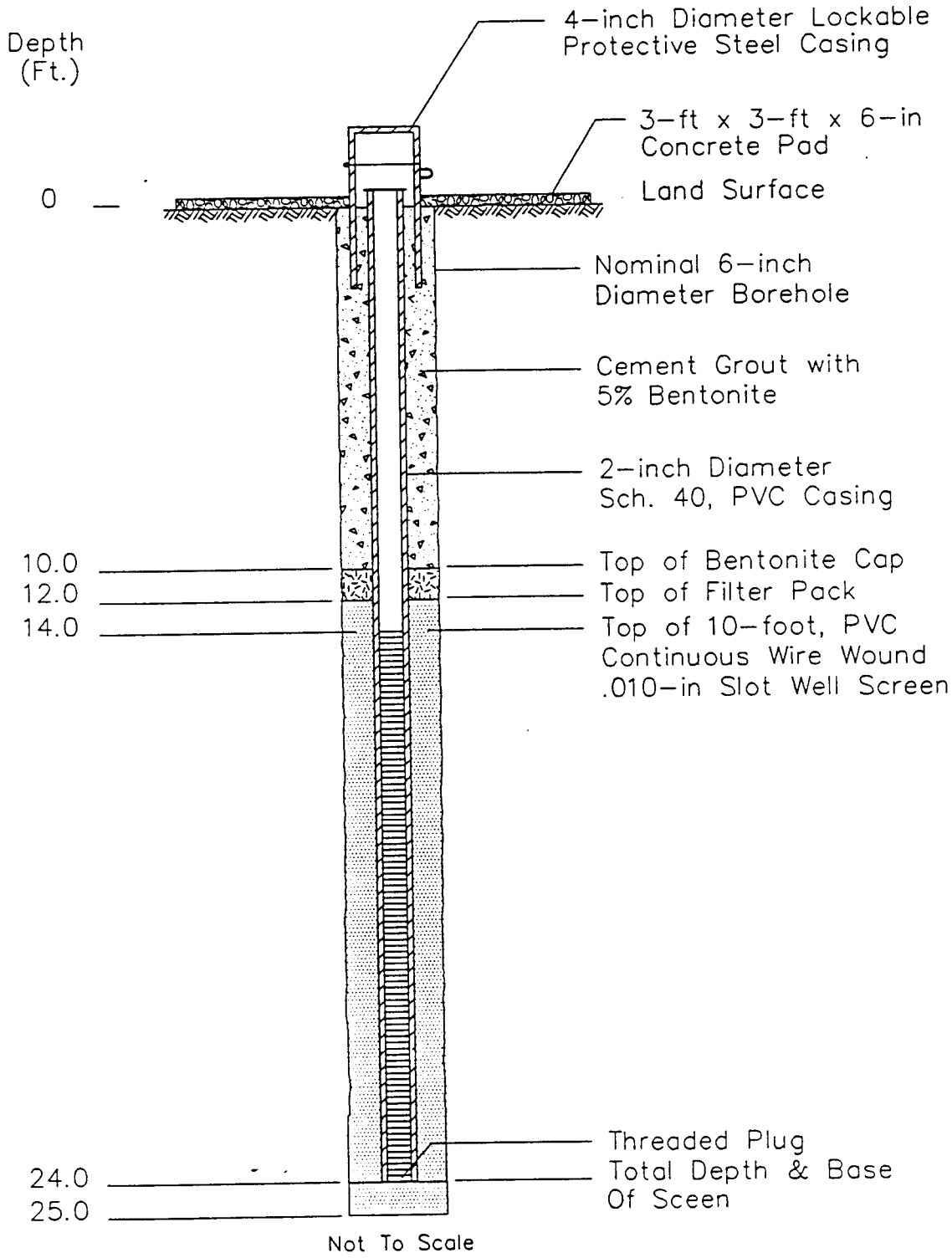
DRAWING NO:

FILE: UNC-CHAP

PRJCT NO.: NC0239.001

DWG DATE: 11AUG95

Location Chapel Hill, N.C.	Coordinates	Ground Elevation	Relative Top-of-Casing Elevation
Geologist C. Whitfield	Drilling Contractor McCall Brothers	Drilling Method Air Rotary	Rig Type
Development Method Redi-Flow Subm. Pump	Volume Evacuated 8 Gallons	Well Completed 7-27-95	Formation Monitored



Location Chapel Hill, N.C.	Coordinates	Ground Elevation	Relative Top-of-Casing Elevation 472.55
Geologist C. Whitfield	Drilling Contractor McCall Brothers	Drilling Method Air Rotary	Rig Type
Development Method Redi-Flow Subm. Pump	Volume Evacuated 14 Gallons	Well Completed 7-21-95	Formation Monitored

DRAFTER: A. WARREN

APPROVED: C. LAWSON

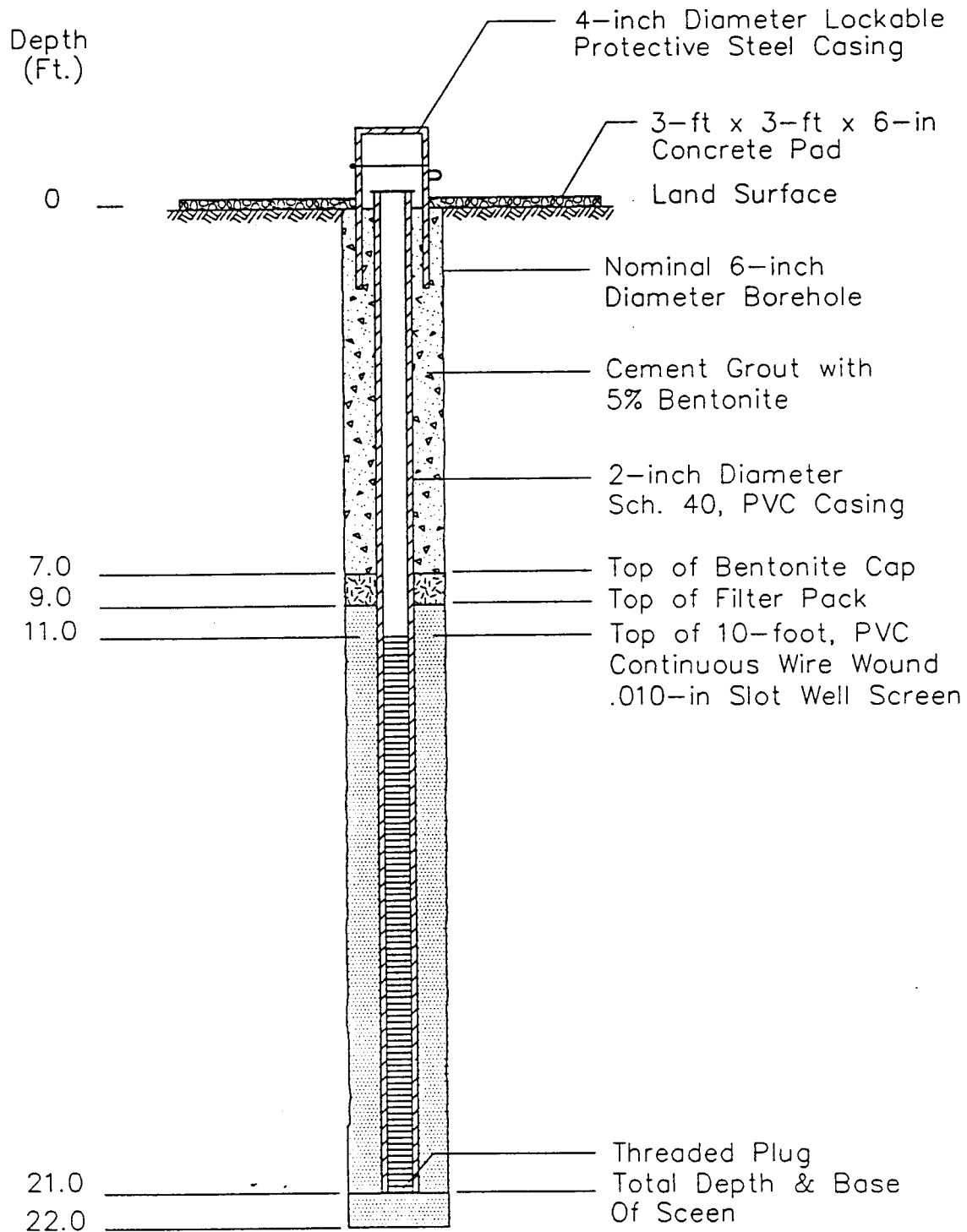
CHECKED: C. LOYDAHL

DRAWING NO: WCD-002A

FILE: UNC-CHAP

PRJCT NO: NC0239.001

DWG DATE: 11AUG95



Not To Scale

WELL CONSTRUCTION DIAGRAM

Well Number MW-22

Client University of N.C. at Chapel Hill

DRAFTER: A. WARREN

APPROVED: C. LAWSON

CHECKED: C. LOVDAHL

WCD-002A

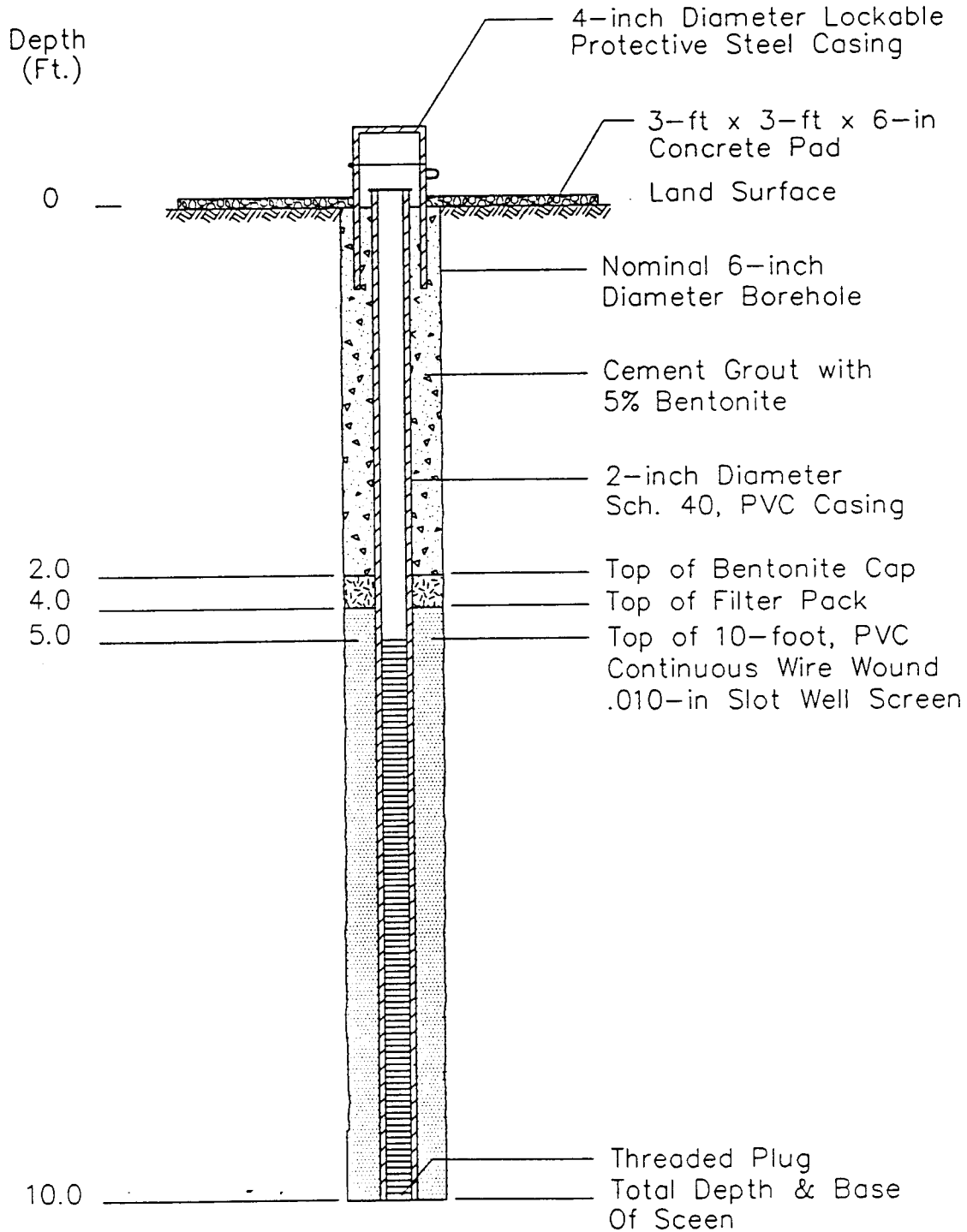
DRAWING NO:

FILE: UNC-CHAP

PRJCT NO.: NC0239.001

DWG DATE: 13MAR96

Location Chapel Hill, N.C.	Coordinates	Ground Elevation	Relative Top-of-Casing Elevation
Geologist C. Whitfield	Drilling Contractor McCall Brothers	Drilling Method Air Rotary	Rig Type
Development Method Redi-Flow Subm. Pump	Volume Evacuated 6 Gallons	Well Completed 7-26-95	Formation Monitored



Not To Scale

WELL CONSTRUCTION DIAGRAM

Well Number MW-23
Client University of N.C. at Chapel Hill

DRAFTER: A. WARREN

APPROVED: C. WHITFIELD

CHECKED: C. LOVDAHL

WCD-002E

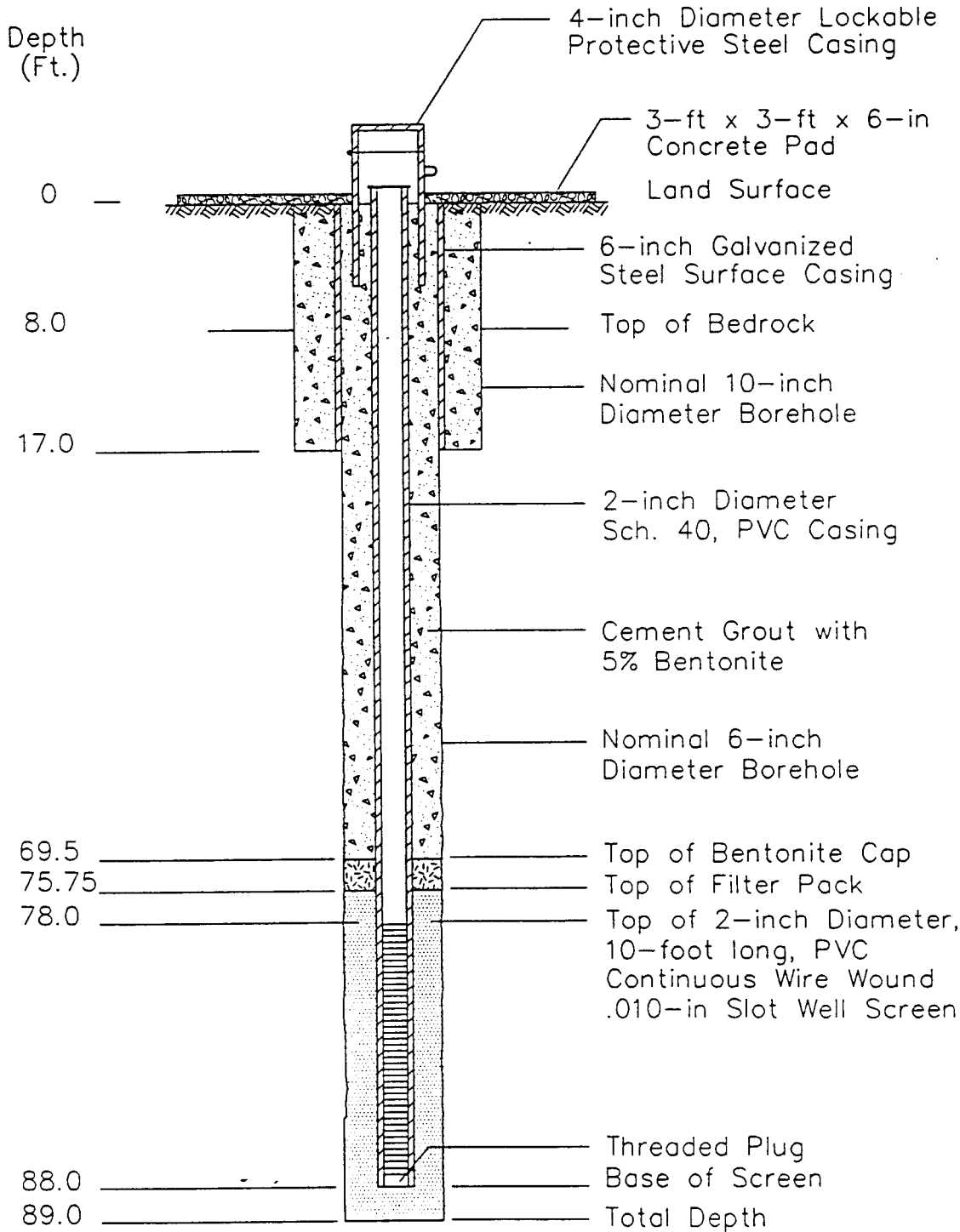
DRAWING NO:

FILE: UNC-CHAP

PRJCT NO.: NC0239.001

DWG DATE: 12MAR96

Location Chapel Hill, N.C.	Coordinates	Ground Elevation	Relative Top-of-Casing Elevation
Geologist C. Whitfield	Drilling Contractor McCall Brothers	Drilling Method Air Hammer & Hollow Stem Auger	Rig Type
Development Method Redi-Flow Subm. Pump	Volume Evacuated 55 Gallons	Well Completed 8-17-95	Formation Monitored



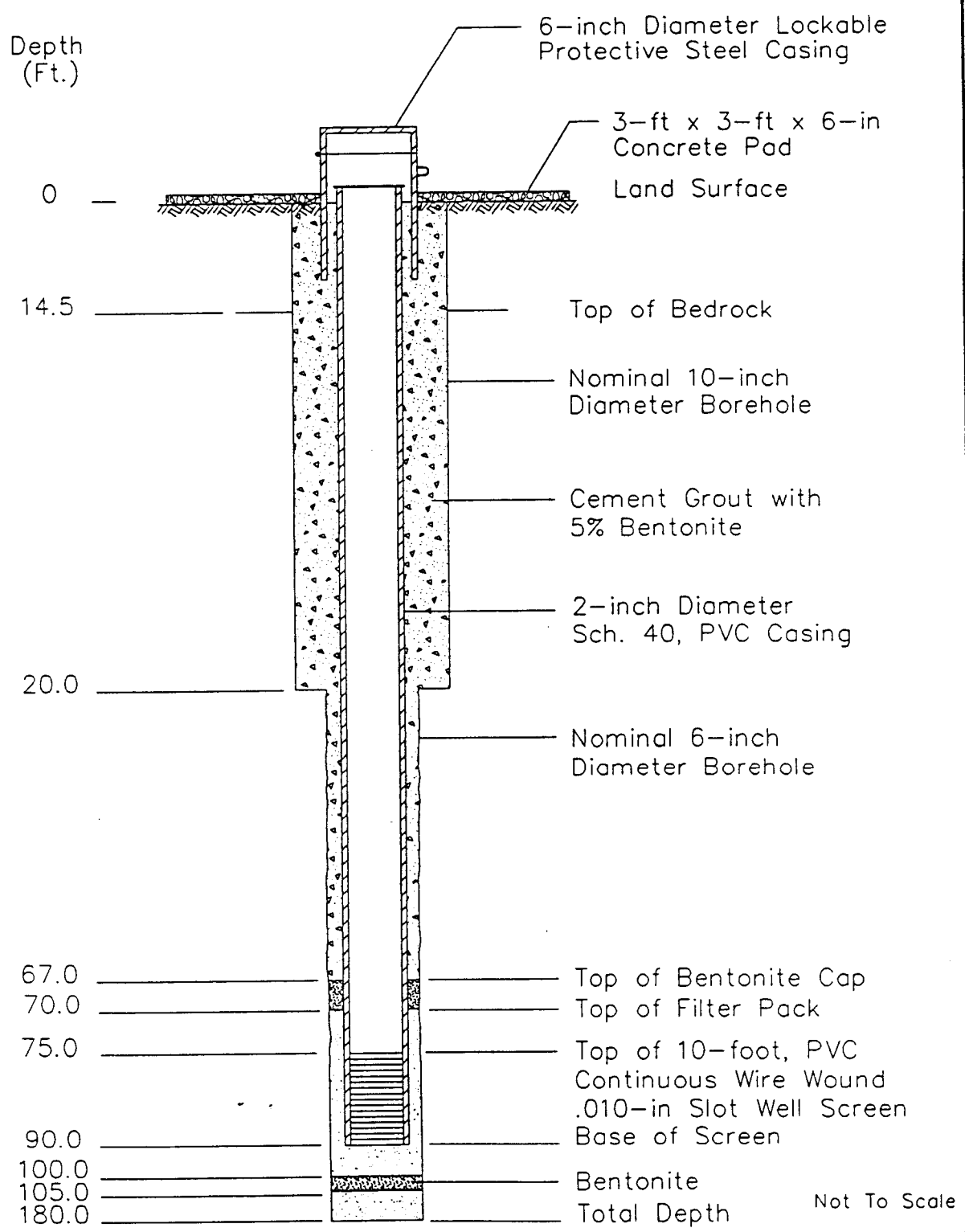
Not To Scale

WELL CONSTRUCTION DIAGRAM

Well Number **MW-26**
Client **University of N.C. at Chapel Hill**

DRAFTER: A. WARREN
 APPROVED: C. LAWSON
 CHECKED: C. LOVDAHL
 DRAWING NO: WCD-002F
 FILE: UNC-CHAP
 PRJCT NO.: NC0239.001
 DWG DATE: 13MAR96

Location Chapel Hill, N.C.	Coordinates	Ground Elevation	Relative Top-of-Casing Elevation
Geologist C. Whitfield	Drilling Contractor McCall Brothers	Drilling Method Air Hammer & Hollow Stem Auger	Rig Type
Development Method Redi-Flow Subm. Pump	Volume Evacuated	Well Completed 2-5-96	Formation Monitored



WELL CONSTRUCTION DIAGRAM

Well Number MW-28

Client University of N.C. at Chapel Hill

DRAFTER: A. WARREN

APPROVED: C. LAWSON

CHECKED: C. LOVDAHL

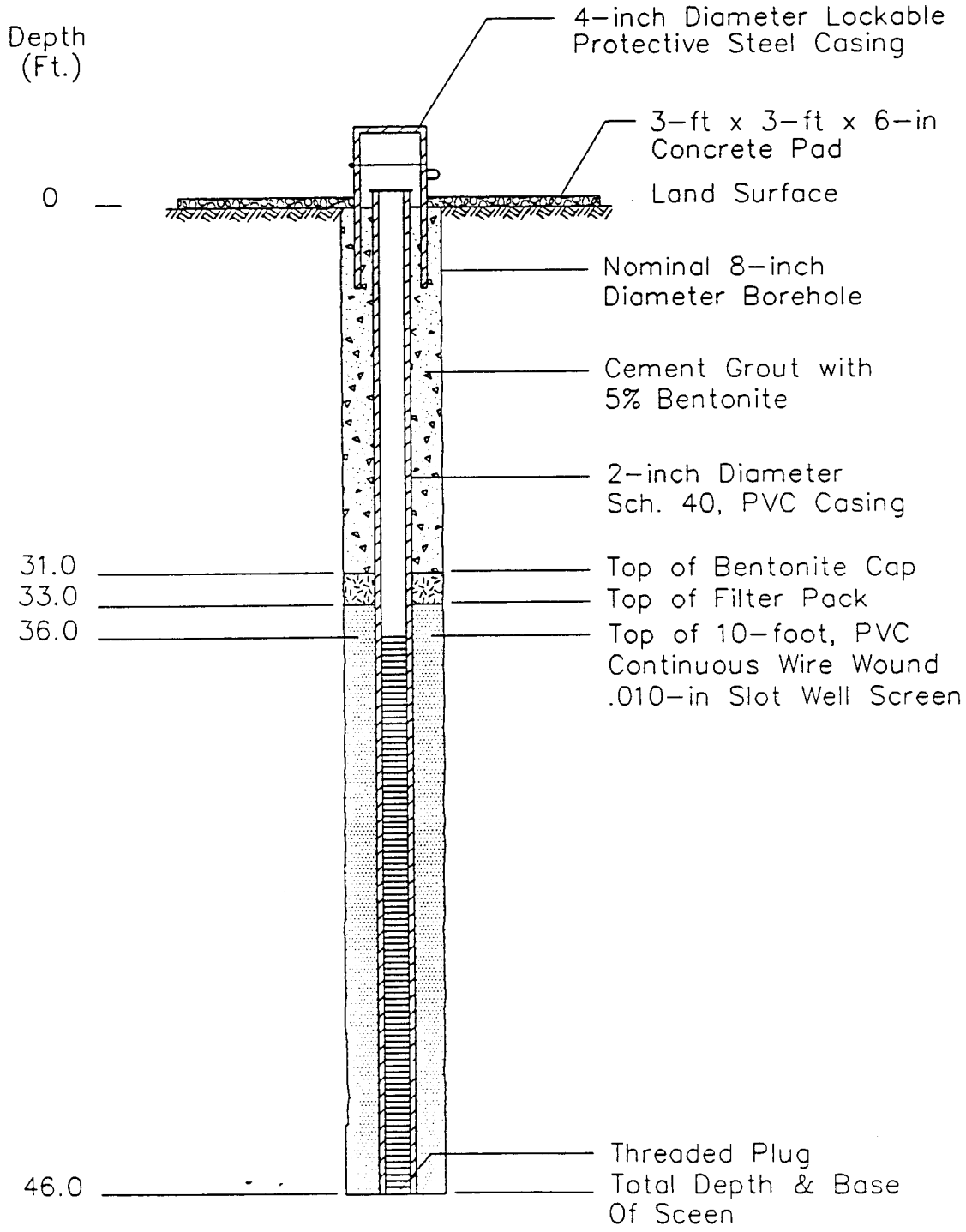
DRAWING NO: WCD-002A

FILE: UNC-CHAP

PRJCT NO.: NC0239.001

DWG DATE: 13MAR96

Location Chapel Hill, N.C.	Coordinates	Ground Elevation	Relative Top-of-Casing Elevation
Geologist C. Whitfield	Drilling Contractor McCall Brothers	Drilling Method Air Hammer	Rig Type
Development Method Redi-Flow Subm. Pump	Volume Evacuated	Well Completed 1-15-96	Formation Monitored



Not To Scale

WELL CONSTRUCTION RECORD

Lat. _____	Long. _____	Pc. _____
Minor Basin _____		
Basin Code _____		
Header Ent. _____		GW-1 Ent. _____

DRILLING CONTRACTOR: McCall Brothers

STATE WELL CONSTRUCTION PERMIT NUMBER: N/A

DRILLER REGISTRATION NUMBER: 003

1. WELL LOCATION: (Show sketch of the location below)

Nearest Town: Chapel Hill County: Durham Well MW-6

Airport Road

(Road, Community, or Subdivision and Lot No.)

2. OWNER University of North Carolina at Chapel Hill

ADDRESS 312 Finley Golf Course Rd.

Chapel Hill NC 27599

City or Town State Zip Code

DEPTH		DRILLING LOG
From	To	Formation Description
0	17	Sandy Clay
17	22	Clayey sand
22		Rock

3. DATE DRILLED 4-11-95 USE OF WELL Monitoring

4. TOTAL DEPTH: 22.0

5. CUTTINGS COLLECTED YES NO

6. DOES WELL REPLACE EXISTING WELL? YES NO

7. STATIC WATER LEVEL Below Top of Casing: 9.55 FT.
(Use "+" if Above Top of Casing)

8. TOP OF CASING IS 472.55 FT. Above Land Surface*

* Casing Terminated at/or below land surface is illegal unless a variance is issued in accordance with 15A NCAC 2C .0118

9. YIELD (gpm): N/A METHOD OF TEST N/A

10. WATER ZONES (depth): _____

11. CHLORINATION: Type N/A Amount N/A

12. CASING:

If additional space is needed use back of form

From	To	Depth	Diameter	Wall Thickness or Weight/Ft.	Material
<u>0</u>	<u>12.0</u>	<u>Ft.</u>	<u>2"</u>	<u>SCH 40</u>	<u>PVC</u>
From _____	To _____	Ft. _____	_____	_____	_____
From _____	To _____	Ft. _____	_____	_____	_____

13. GROUT:

From	To	Depth	Material	Method
<u>0</u>	<u>10.0</u>	<u>Ft.</u>	<u>Bentonite /Cement</u>	<u>Tremie</u>
From _____	To _____	Ft. _____	_____	_____

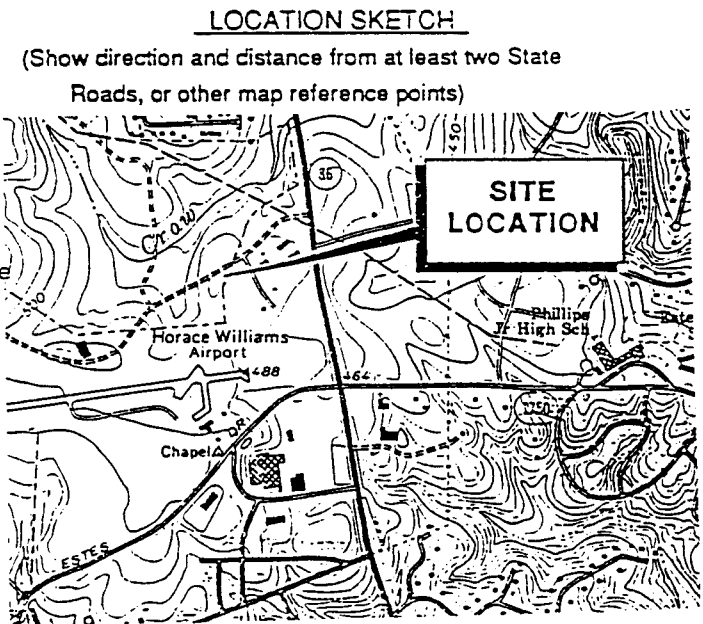
14. SCREEN:

From	To	Depth	Diameter	Slot Size	Material
<u>12.0</u>	<u>22.0</u>	<u>Ft.</u>	<u>2"</u>	<u>in. 0.010 in.</u>	<u>PVC</u>
From _____	To _____	Ft. _____	_____	_____	_____
From _____	To _____	Ft. _____	_____	_____	_____

15. SAND/GRAVEL PACK:

From	To	Depth	Size	Material
<u>10.0</u>	<u>22.0</u>	<u>Ft.</u>	<u>Torpedo</u>	<u>Silica</u>
From _____	To _____	Ft. _____	_____	_____

16. REMARKS: _____



I DO HEREBY CERTIFY THAT THIS WELL WAS CONSTRUCTED IN ACCORDANCE WITH 15A NCAC 2C, WELL CONSTRUCTION STANDARDS, AND THAT A COPY OF THIS RECORD HAS BEEN PROVIDED TO THE WELL OWNER.

[Signature] 5/5/95

SIGNATURE OF CONTRACTOR OR AGENT DATE

Submit original to Division of Environmental Management and copy to well owner

QUAD. NO.	SERIAL NO.
Lat. _____ Long. _____ Pc _____	
Minor Basin _____	
Basin Code _____	
Header Ent. _____	GW-1 Ent

WELL CONSTRUCTION RECORD

DRILLING CONTRACTOR: McCall Brothers
DRILLER REGISTRATION NUMBER: 003

STATE WELL CONSTRUCTION PERMIT NUMBER: N/A

1. WELL LOCATION: (Show sketch of the location below)
Nearest Town: Chapel Hill County: Durham Well MW-7
Airport Road

(Road, Community, or Subdivision and Lot No.)
2. OWNER University of North Carolina at Chapel Hill
ADDRESS 312 Finley Golf Course Rd.
Chapel Hill NC 27599
City or Town State Zip Code

DEPTH		DRILLING LOG
From	To	Formation Description
0	48	Rock

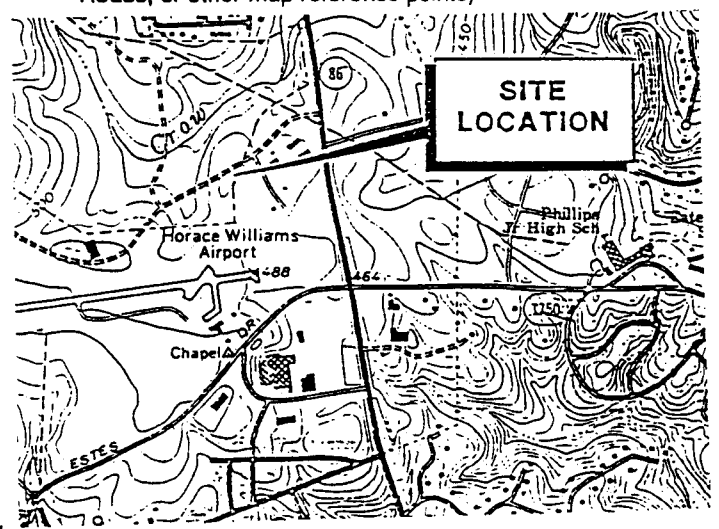
3. DATE DRILLED 4-21-95 USE OF WELL Monitoring
4. TOTAL DEPTH 48.0
5. CUTTINGS COLLECTED YES NO
6. DOES WELL REPLACE EXISTING WELL? YES NO
7. STATIC WATER LEVEL Below Top of Casing: 5.00 FT.
(Use "*" if Above Top of Casing)
8. TOP OF CASING IS 475.01 FT. Above Land Surface*
* Casing Terminated at/or below land surface is illegal unless a variance is issued in accordance with 15A NCAC 2C .0118
9. YIELD (gpm): N/A METHOD OF TEST N/A
10. WATER ZONES (depth): _____

11. CHLORINATION: Type N/A Amount N/A
12. CASING:

If additional space is needed use back of form

LOCATION SKETCH

(Show direction and distance from at least two State Roads, or other map reference points)



13. GROUT:

Depth	Diameter	Wall Thickness or Weight/Ft.	Material
From <u>0</u> To <u>22.0</u> Ft.	<u>6.0"</u>	<u>0.25"</u>	<u>G.S.</u>
From <u>0</u> To <u>38</u> Ft.	<u>2.0"</u>	<u>0.25"</u>	<u>S.S.</u>
From _____ To _____ Ft.	_____	_____	_____

14. SCREEN:

Depth	Diameter	Sight Size	Material
From <u>38.0</u> To <u>48.0</u> Ft.	<u>2</u> in.	<u>0.010</u> in.	<u>S.S.</u>
From _____ To _____ Ft.	_____ in.	_____ in.	_____
From _____ To _____ Ft.	_____ in.	_____ in.	_____

15. SAND/GRAVEL PACK:

Depth	Size	Material
From <u>35.0</u> To <u>48.0</u> Ft.	<u>Torpedo</u>	<u>Silica</u>
From _____ To _____ Ft.	_____	_____

16. REMARKS: _____

I DO HEREBY CERTIFY THAT THIS WELL WAS CONSTRUCTED IN ACCORDANCE WITH 15A NCAC 2C, WELL CONSTRUCTION STANDARDS, AND THAT A COPY OF THIS RECORD HAS BEEN PROVIDED TO THE WELL OWNER.

5/5/95

SIGNATURE OF CONTRACTOR OR AGENT

DATE

Lat. _____	Long. _____	Pc _____
Minor Basin _____		
Basin Code _____		
Header Ent. _____		GW-1 Ent _____

WELL CONSTRUCTION RECORD

DRILLING CONTRACTOR: McCall Brothers

STATE WELL CONSTRUCTION PERMIT NUMBER: N/A

DRILLER REGISTRATION NUMBER: 003

1. WELL LOCATION: (Show sketch of the location below)

Nearest Town: Chapel Hill County: Durham Well MW-12

Airport Road

(Foot, Community, or Subdivision and Lot No.)

OWNER University of North Carolina at Chapel Hill

ADDRESS 312 Finley Golf Course Rd.

Chapel Hill NC 27599

City or Town State Zip Code

DATE DRILLED 4-13-95 USE OF WELL Monitoring

TOTAL DEPTH 22.0

CUTTINGS COLLECTED YES NO

DOES WELL REPLACE EXISTING WELL? YES NO

STATIC WATER LEVEL Below Top of Casing: 3.82 FT.

(Use "+" if Above Top of Casing)

TOP OF CASING IS 464.21 FT. Above Land Surface*

* Casing Terminated at/or below land surface is illegal unless a variance is issued in accordance with 15A NCAC 2C .0118

YIELD (gpm): N/A METHOD OF TEST N/A

WATER ZONES (depth): _____

CHLORINATION: Type N/A Amount N/A

If additional space is needed use back of form

CASING:

From	Depth	To	Diameter	Wall Thickness or Weight/Ft	Material
0	12.0	Ft.	2"	Sch 40	PVC
		Ft.			
		Ft.			

GROUT:

From	Depth	To	Material	Method
0	10.0	Ft.	Bentonite/Grout	tremie
		Ft.		

SCREEN:

From	Depth	To	Diameter	Sect Size	Material
12.0	22.0	Ft.	2 in.	0.010 in.	PVC
		Ft.			
		Ft.			

SAND/GRAVEL PACK:

From	Depth	To	Size	Material
10.0	22.0	Ft.	Torpedo	Silica
		Ft.		

REMARKS:

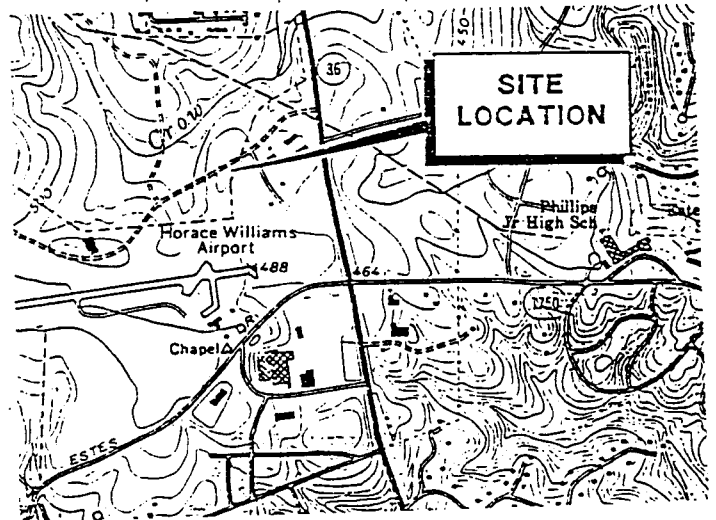
I DO HEREBY CERTIFY THAT THIS WELL WAS CONSTRUCTED IN ACCORDANCE WITH 15A NCAC 2C, WELL CONSTRUCTION STANDARDS, AND THAT A COPY OF THIS RECORD HAS BEEN PROVIDED TO THE WELL OWNER.

[Signature]
 SIGNATURE OF CONTRACTOR OR AGENT

5/5/95
 DATE

LOCATION SKETCH

(Show direction and distance from at least two State Roads, or other map reference points)



SERIAL NO. _____
 Lat. _____ Long. _____ Pc _____
 Minor Basin _____
 Basin Code _____
 Header Ent. _____ GW-1 Ent. _____

WELL CONSTRUCTION RECORD

DRILLING CONTRACTOR: McCall Brothers
 DRILLER REGISTRATION NUMBER: 003

STATE WELL CONSTRUCTION
 PERMIT NUMBER: N/A

1. WELL LOCATION: (Show sketch of the location below) Well MW-13
 Nearest Town: Chapel Hill County: Durham

Airport Road

(Road, Community, or Subdivision and Lot No.)

2. OWNER University of North Carolina at Chapel Hill

ADDRESS 112 Pinley Golf Course Rd.

(Street or Route No.)

Chapel Hill NC 27599

City or Town State Zip Code

3. DATE DRILLED 4-19-95 USE OF WELL Monitoring

4. TOTAL DEPTH 23.0

5. CUTTINGS COLLECTED YES NO

6. DOES WELL REPLACE EXISTING WELL? YES NO

7. STATIC WATER LEVEL Below Top of Casing: 6.62 Ft.

(Use "-" if Above Top of Casing)

8. TOP OF CASING IS 467.60 FT. Above Land Surface*

* Casing Terminated at/or below land surface is illegal unless a variance is issued in accordance with 15A NCAC 2C .0118

9. YIELD (gpm): N/A METHOD OF TEST N/A

10. WATER ZONES (depth): _____

11. CHLORINATION: Type N/A Amount N/A

12. CASING:

From	Depth	To	Diameter	Wall Thickness or Weight/Ft.	Material
0	13.0	Ft.	2"	Sch 40	PVC
From	To	Ft.			
From	To	Ft.			

13. GROUT:

From	Depth	To	Material	Method
0	11.0	Ft.	Bentonite/Grout	Tremie
From	To	Ft.		

14. SCREEN:

From	Depth	To	Diameter	Slot Size	Material
13.0	23.0	Ft.	2 in.	0.010 in.	PVC
From	To	Ft.	in.	in.	
From	To	Ft.	in.	in.	

15. SAND/GRAVEL PACK:

From	Depth	To	Size	Material
11.0	23.0	Ft.	Torpedo	Silica
From	To	Ft.		

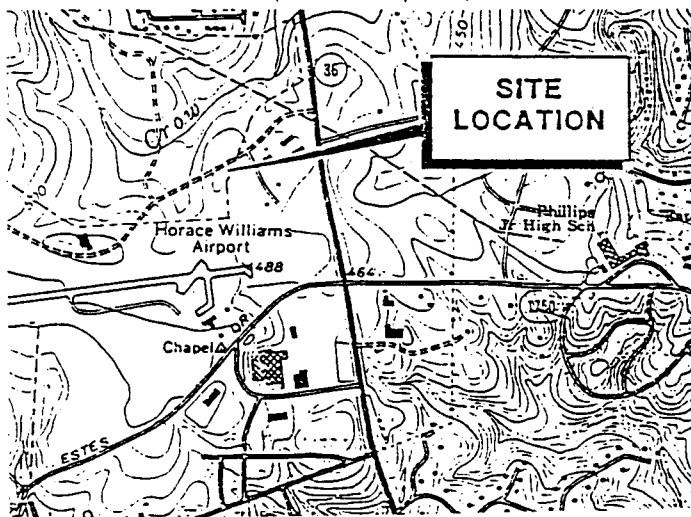
16. REMARKS:

DEPTH		DRILLING LOG
From	To	Formation Description
0	12	Silty Clay
12	23	Rock

If additional space is needed use back of form

LOCATION SKETCH

(Show direction and distance from at least two State Roads, or other map reference points)



I DO HEREBY CERTIFY THAT THIS WELL WAS CONSTRUCTED IN ACCORDANCE WITH 15A NCAC 2C, WELL CONSTRUCTION STANDARDS, AND THAT A COPY OF THIS RECORD HAS BEEN PROVIDED TO THE WELL OWNER.

[Signature]

5/5/95

SIGNATURE OF CONTRACTOR OR AGENT

DATE

QUAD. NO. _____ SERIAL NO. _____
 Lat. _____ Long. _____ Pc _____
 Minor Basin _____
 Basin Code _____
 Header Ent. _____ GW-1 Ent _____

WELL CONSTRUCTION RECORD

DRILLING CONTRACTOR: McCall Brothers

STATE WELL CONSTRUCTION PERMIT NUMBER: N/A

DRILLER REGISTRATION NUMBER: 003

1. WELL LOCATION: (Show sketch of the location below)

Well MW-14

Nearest Town: Chapel Hill County: Durham

Airport Road

(Road, Community, or Subdivision and Lot No.)

2. OWNER University of North Carolina at Chapel Hill
 ADDRESS 210 Finlay Golf Course Rd.

DEPTH

DRILLING LOG

From	To
0	5.5
5.5	27.0
27.0	175

Formation Description

<u>Clay</u>
<u>Sandy Clay</u>
<u>Rock</u>

Chapel Hill NC 27599
 City or Town State Zip Code

3. DATE DRILLED 8-11-95 USE OF WELL Monitoring

4. TOTAL DEPTH 175.0

5. CUTTINGS COLLECTED YES NO

6. DOES WELL REPLACE EXISTING WELL? YES NO

7. STATIC WATER LEVEL Below Top of Casing: 14.20 Ft.

(Use "-" if Above Top of Casing)

8. TOP OF CASING IS 481.67 FT. Above Land Surface*

* Casing Terminated at/or below land surface is illegal unless a variance is issued in accordance with 15A NCAC 2C .0118

9. YIELD (gpm): N/A METHOD OF TEST N/A

10. WATER ZONES (depth): _____

11. CHLORINATION: Type N/A Amount N/A

If additional space is needed use back of form

12. CASING:

From	Depth	To	Diameter	Wall Thickness or Weight/FL	Material
0		29.0	8"	0.25"	Steel
0		165.0	2"	SCW 40	PVC
0					

13. GROUT:

From	Depth	To	Material	Method
0		162	Bentonite/Grout	Tremie

14. SCREEN:

From	Depth	To	Diameter	Slot Size	Material
165.0		175.0	2 in.	0.010 in.	PVC

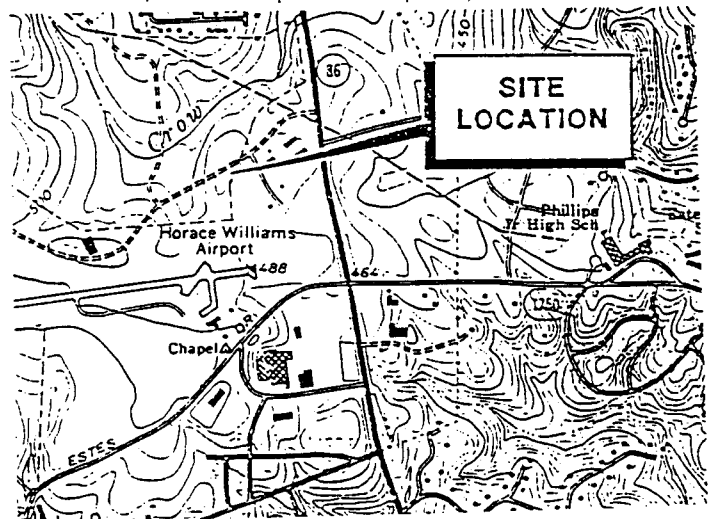
15. SAND/GRAVEL PACK:

From	Depth	To	Size	Material
162.0		175.0	Torpedo	Silica

16. REMARKS:

LOCATION SKETCH

(Show direction and distance from at least two State Roads, or other map reference points)



I DO HEREBY CERTIFY THAT THIS WELL WAS CONSTRUCTED IN ACCORDANCE WITH 15A NCAC 2C, WELL CONSTRUCTION STANDARDS, AND THAT A COPY OF THIS RECORD HAS BEEN PROVIDED TO THE WELL OWNER.

[Signature]
 SIGNATURE OF CONTRACTOR OR AGENT

8/22/95
 DATE

Lat. _____ Long. _____ Pc _____
 Minor Basin _____
 Basin Code _____
 Header Ent. _____ GW-1 Ent. _____

WELL CONSTRUCTION RECORD

DRILLING CONTRACTOR: McCall Brothers

STATE WELL CONSTRUCTION PERMIT NUMBER: N/A

DRILLER REGISTRATION NUMBER: 003

1. WELL LOCATION: (Show sketch of the location below)
 Nearest Town: Chapel Hill County: Durham Well MW-15

Airport Road

(Road, Community, or Subdivision and Lot No.)

2. OWNER University of North Carolina at Chapel Hill
 ADDRESS 212 Finley Golf Course Rd.

DEPTH	
From	To
0	60

DRILLING LOG
Formation Description
Rock Granite

Chapel Hill NC 27599
 City or Town State Zip Code

3. DATE DRILLED 7-20-95 USE OF WELL Monitoring

4. TOTAL DEPTH 60.5

5. CUTTINGS COLLECTED YES NO

6. DOES WELL REPLACE EXISTING WELL? YES NO

7. STATIC WATER LEVEL Below Top of Casing: _____ Ft.

(Use "+" if Above Top of Casing)

8. TOP OF CASING IS 465.04 FT. Above Land Surface*

* Casing Terminated at/or below land surface is illegal unless a variance is issued in accordance with 15A NCAC 2C .0118

9. YIELD (gpm): N/A METHOD OF TEST N/A

10. WATER ZONES (depth): _____

11. CHLORINATION: Type N/A Amount N/A

If additional space is needed use back of form

12. CASING:

From	To	Depth	Diameter	Wall Thickness or Weight/FT.	Material
0	40.0	Ft.	8"	0.25"	S.S.
0	50	Ft.	2"	SCH 40	PVC
From	To	Ft.			

13. GROUT:

From	To	Depth	Material	Method
0	48.0	Ft.	Bentonite/Grout	Tremie
From	To	Ft.		

14. SCREEN:

From	To	Depth	Diameter	Slot Size	Material
50.0	60.0	Ft.	2 in.	0.010 in.	PVC
From	To	Ft.	in.	in.	
From	To	Ft.	in.	in.	

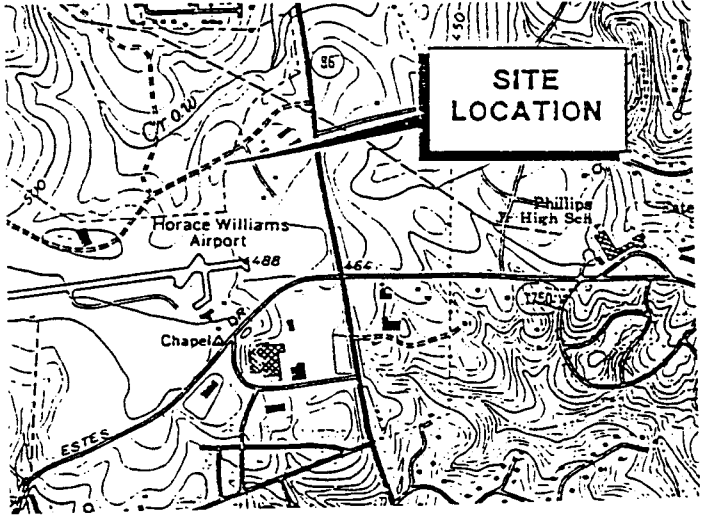
15. SAND/GRAVEL PACK:

From	To	Depth	Size	Material
48.0	60.5	Ft.	Torpedo	Silica
From	To	Ft.		

16. REMARKS:

LOCATION SKETCH

(Show direction and distance from at least two State Roads, or other map reference points)



I DO HEREBY CERTIFY THAT THIS WELL WAS CONSTRUCTED IN ACCORDANCE WITH 15A NCAC 2C, WELL CONSTRUCTION STANDARDS, AND THAT A COPY OF THIS RECORD HAS BEEN PROVIDED TO THE WELL OWNER.

[Signature]
 SIGNATURE OF CONTRACTOR OR AGENT

7/28/95
 DATE

Lat. _____	Long. _____	Pc _____
Minor Basin _____		
Basin Code _____		
Header Ent. _____		GW-1 Ent _____

WELL CONSTRUCTION RECORD

DRILLING CONTRACTOR: McCall Brothers

STATE WELL CONSTRUCTION PERMIT NUMBER: N/A

DRILLER REGISTRATION NUMBER: 003

1. WELL LOCATION: (Show sketch of the location below)
Nearest Town: Chapel Hill County: Durham Well MW-16

Airport Road

(Road, Community, or Subdivision and Lot No.)

2. OWNER University of North Carolina at Chapel Hill

ADDRESS 212 Finley Golf Course Rd.

(Street or Route No.)

Chapel Hill

NC

27599

City or Town

State

Zip Code

DEPTH

From To

0 - 8

8 - 16

16 - 82

DRILLING LOG

Formation Description

Sandy Clay

Weathered Rock

Rock

3. DATE DRILLED 7-21-95 USE OF WELL Monitoring

4. TOTAL DEPTH 42.0

5. CUTTINGS COLLECTED YES NO

6. DOES WELL REPLACE EXISTING WELL? YES NO

7. STATIC WATER LEVEL Below Top of Casing: 5.94 FT.

(Use "*" if Above Top of Casing)

8. TOP OF CASING IS 467.14 FT. Above Land Surface*

* Casing Terminated at/or below land surface is illegal unless a variance is issued in accordance with 15A NCAC 2C .0118

9. YIELD (gpm): N/A METHOD OF TEST N/A

10. WATER ZONES (depth): _____

11. CHLORINATION: Type N/A Amount N/A

If additional space is needed use back of form

12. CASING:

From	Depth	To	Diameter	Wall Thickness or Weight/Ft.	Material
0	16.0	22.0	8"	0.24"	S.S.
0			2"	SCH 40	PVC
From	To	Ft.			
From	To	Ft.			

13. GROUT:

From	Depth	To	Material	Method
0	19.0		Bentonite/Grout	Tremie
From	To	Ft.		

14. SCREEN:

From	Depth	To	Diameter	Slot Size	Material
22.0	42.0		2 in.	0.010 in.	PVC
From	To	Ft.	in.	in.	
From	To	Ft.	in.	in.	

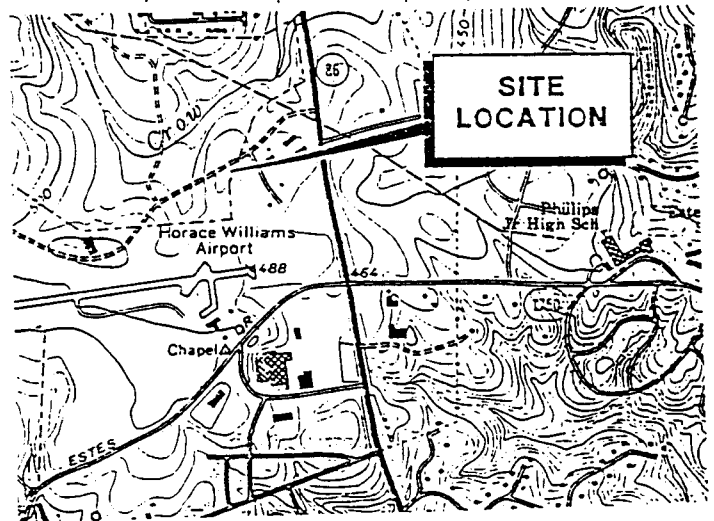
15. SAND/GRAVEL PACK:

From	Depth	To	Size	Material
19.0	42.0		Torpedo	Silica
From	To	Ft.		

16. REMARKS: _____

LOCATION SKETCH

(Show direction and distance from at least two State Roads, or other map reference points)



I DO HEREBY CERTIFY THAT THIS WELL WAS CONSTRUCTED IN ACCORDANCE WITH 15A NCAC 2C, WELL CONSTRUCTION STANDARDS, AND THAT A COPY OF THIS RECORD HAS BEEN PROVIDED TO THE WELL OWNER.

[Signature]

SIGNATURE OF CONTRACTOR OR AGENT

7/28/95

DATE

QUAD. NO. _____ SERIAL NO. _____
Lat. _____ Long. _____ Pc _____
Minor Basin _____
Basin Code _____
Header Ent. _____ GW-1 Ent. _____

WELL CONSTRUCTION RECORD

DRILLING CONTRACTOR: McCall Brothers
DRILLER REGISTRATION NUMBER: 003

STATE WELL CONSTRUCTION PERMIT NUMBER: N/A

1. WELL LOCATION: (Show sketch of the location below)
Nearest Town: Chapel Hill County: Durham Well MW-19

Airport Road

(Road, Community, or Subdivision and Lot No.)

2. OWNER University of North Carolina at Chapel Hill
ADDRESS 212 Finley Golf Course Rd.

Chapel Hill NC 27599
City or Town State Zip Code

DEPTH

From	To
0	4
4	10

DRILLING LOG

Formation Description
Silty Clay
Weathered Rock

3. DATE DRILLED 7-19-95 USE OF WELL Monitoring

4. TOTAL DEPTH: 10.0

5. CUTTINGS COLLECTED YES NO

6. DOES WELL REPLACE EXISTING WELL? YES NO

7. STATIC WATER LEVEL Below Top of Casing: 3.03 FT.

(Use "+" if Above Top of Casing)

8. TOP OF CASING IS 473.00 FT. Above Land Surface*

* Casing Terminated at/or below land surface is illegal unless a variance is issued in accordance with 15A NCAC 2C .0118

9. YIELD (gpm): N/A METHOD OF TEST N/A

10. WATER ZONES (depth): _____

11. CHLORINATION: Type N/A Amount N/A

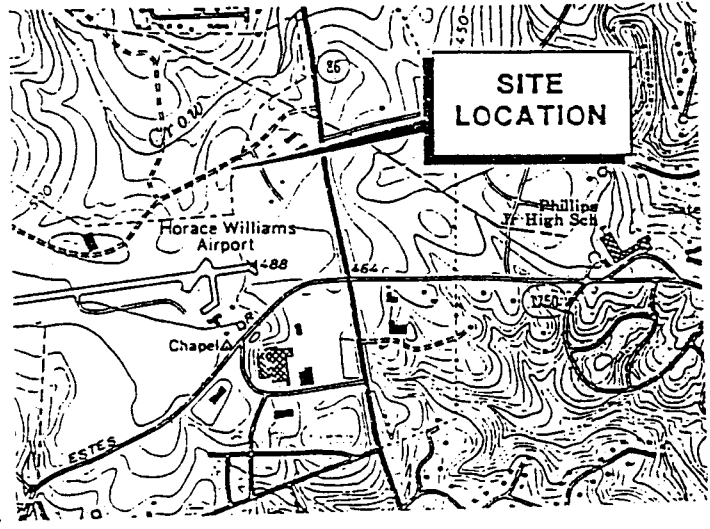
If additional space is needed use back of form

12. CASING:

From	Depth	To	Diameter	Wall Thickness or Weight/Flt	Material
0	5.0	Flt.	2"	SCH 40	PVC
_____	_____	Flt.	_____	_____	_____
_____	_____	Flt.	_____	_____	_____

LOCATION SKETCH

(Show direction and distance from at least two State Roads, or other map reference points)



13. GROUT:

From	Depth	To	Material	Method
0	3.5	Flt.	Bentonite	/Grout Tremie
_____	_____	Flt.	_____	_____

14. SCREEN:

From	Depth	To	Diameter	Slot Size	Material
5.0	10.0	Flt.	2 in.	0.010 in.	PVC
_____	_____	Flt.	_____ in.	_____ in.	_____
_____	_____	Flt.	_____ in.	_____ in.	_____

15. SAND/GRAVEL PACK:

From	Depth	To	Size	Material
3.5	10.0	Flt.	Torpedo	Silica
_____	_____	Flt.	_____	_____

16. REMARKS: _____

I DO HEREBY CERTIFY THAT THIS WELL WAS CONSTRUCTED IN ACCORDANCE WITH 15A NCAC 2C, WELL CONSTRUCTION STANDARDS, AND THAT A COPY OF THIS RECORD HAS BEEN PROVIDED TO THE WELL OWNER.

[Handwritten Signature]

7/25/95
DATE

SIGNATURE OF CONTRACTOR OR AGENT
Submit original to Division of Environmental Management and copy to well owner.

Lat. _____ Long. _____ Pc _____
 Minor Basin _____
 Basin Code _____
 Header Ent. _____ GW-1 Ent _____

WELL CONSTRUCTION RECORD

DRILLING CONTRACTOR: McCall Brothers

STATE WELL CONSTRUCTION PERMIT NUMBER: N/A

DRILLER REGISTRATION NUMBER: 003

1. WELL LOCATION: (Show sketch of the location below)
 Nearest Town: Chapel Hill County: Durham Well MW-20

Airport Road

(Road, Community, or Subdivision and Lot No.)

2. OWNER University of North Carolina at Chapel Hill

ADDRESS 212 Finley Golf Course Rd.

(Street or Route No.)

Chapel Hill

NC

27599

City or Town

State

Zip Code

DEPTH

From To

0 - 17

17 - 24

24 - 25

DRILLING LOG

Formation Description

Silty Clay

Clayey Sand

Rock

3. DATE DRILLED 7-27-95 USE OF WELL Monitoring

4. TOTAL DEPTH 25.0

5. CUTTINGS COLLECTED YES NO

6. DOES WELL REPLACE EXISTING WELL? YES NO

7. STATIC WATER LEVEL Below Top of Casing: 11.58 FT.

(Use "-" if Above Top of Casing)

8. TOP OF CASING IS 475.03 FT. Above Land Surface*

* Casing Terminated at/or below land surface is illegal unless a variance is issued in accordance with 15A NCAC 2C .0118

9. YIELD (gpm): N/A METHOD OF TEST N/A

10. WATER ZONES (depth): _____

11. CHLORINATION: Type N/A Amount N/A

If additional space is needed use back of form

12. CASING:

Depth	Diameter	Wall Thickness or Weight/Ft.	Material
From <u>0</u> To <u>14</u> Ft.	<u>2"</u>	<u>SCH 40</u>	<u>PVC</u>
From _____ To _____ Ft.	_____	_____	_____
From _____ To _____ Ft.	_____	_____	_____

13. GROUT:

Depth	Material	Method
From <u>0</u> To <u>12</u> Ft.	<u>Bentonite/Grout</u>	<u>Tremie</u>
From _____ To _____ Ft.	_____	_____

14. SCREEN:

Depth	Diameter	Slot Size	Material
From <u>14.0</u> To <u>24.0</u> Ft.	<u>2</u> in.	<u>0.010</u> in.	<u>PVC</u>
From _____ To _____ Ft.	_____ in.	_____ in.	_____
From _____ To _____ Ft.	_____ in.	_____ in.	_____

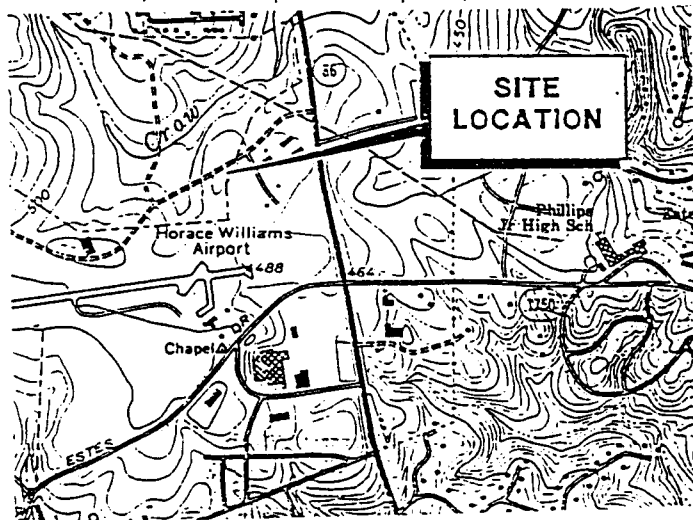
15. SAND/GRAVEL PACK:

Depth	Size	Material
From <u>12.0</u> To <u>25.0</u> Ft.	<u>Torpedo</u>	<u>Silica</u>
From _____ To _____ Ft.	_____	_____

16. REMARKS:

LOCATION SKETCH

(Show direction and distance from at least two State Roads, or other map reference points)



I DO HEREBY CERTIFY THAT THIS WELL WAS CONSTRUCTED IN ACCORDANCE WITH 15A NCAC 2C, WELL CONSTRUCTION STANDARDS, AND THAT A COPY OF THIS RECORD HAS BEEN PROVIDED TO THE WELL OWNER.

[Signature]
 SIGNATURE OF CONTRACTOR OR AGENT

8/4/95
 DATE

QUAD. NO.	SERIAL NO.
Lat. _____ Long. _____	Pc _____
Minor Basin _____	
Basin Code _____	
Header Ent. _____	GW-1 Ent.

WELL CONSTRUCTION RECORD

DRILLING CONTRACTOR: McCall Brothers
DRILLER REGISTRATION NUMBER: 003

STATE WELL CONSTRUCTION PERMIT NUMBER: N/A

1. WELL LOCATION: (Show sketch of the location below)
Nearest Town: Chapel Hill County: Durham Well MW-21

Airport Road

(Road, Community, or Subdivision and Lot No.)

2. OWNER University of North Carolina at Chapel Hill
ADDRESS 212 Finley Golf Course Rd.

Chapel Hill NC 27599
City or Town State Zip Code

DEPTH	DEPTH		DRILLING LOG
	From	To	
	0	4	Silty Clay
	4	20	Rock

3. DATE DRILLED 7-21-95 USE OF WELL Monitoring
4. TOTAL DEPTH: 22.0
5. CUTTINGS COLLECTED YES NO
6. DOES WELL REPLACE EXISTING WELL? YES NO
7. STATIC WATER LEVEL Below Top of Casing: 4.06 FT.
8. TOP OF CASING IS 463.28 FT. Above Land Surface*
* Casing Terminated at or below land surface is illegal unless a variance is issued in accordance with 15A NCAC 2C .0118
9. YIELD (gpm): N/A METHOD OF TEST N/A
10. WATER ZONES (depth): _____

11. CHLORINATION: Type N/A Amount N/A

If additional space is needed use back of form

12. CASING:

From	To	Depth	Diameter	Wall Thickness or Weight/Ft	Material
0	11.0	Ft.	2"	SCH 40	PVC

13. GROUT:

From	To	Depth	Material	Method
0	9.0	Ft.	Bentonite/Grout	Tremie

14. SCREEN:

From	To	Depth	Diameter	Slot Size	Material
11.0	21.0	Ft.	2 in.	0.010 in.	PVC

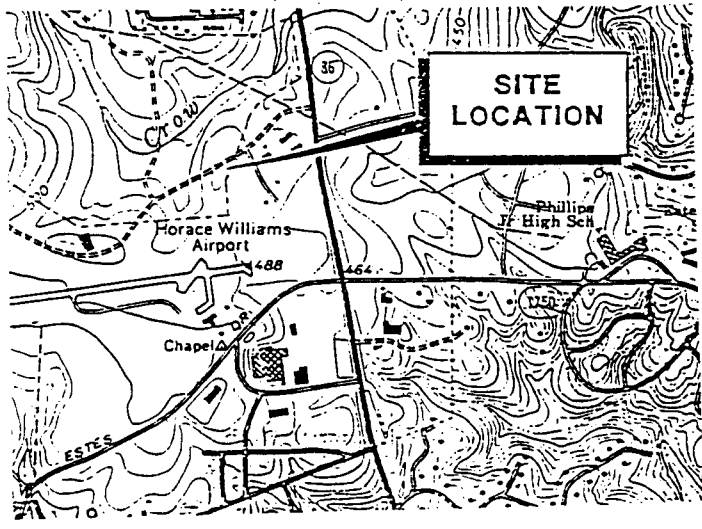
15. SAND/GRAVEL PACK:

From	To	Depth	Size	Material
9	22.0	Ft.	Torpedo	Silica

16. REMARKS:

LOCATION SKETCH

(Show direction and distance from at least two State Roads, or other map reference points)



I DO HEREBY CERTIFY THAT THIS WELL WAS CONSTRUCTED IN ACCORDANCE WITH 15A NCAC 2C, WELL CONSTRUCTION STANDARDS, AND THAT A COPY OF THIS RECORD HAS BEEN PROVIDED TO THE WELL OWNER.

[Signature]
SIGNATURE OF CONTRACTOR OR AGENT

7/25/95
DATE

QUAD. NO. _____ SERIAL NO. _____
 Lat. _____ Long. _____ Pc _____
 Minor Basin _____
 Basin Code _____
 Header Ent. _____ GW-1 Ent

WELL CONSTRUCTION RECORD

DRILLING CONTRACTOR: McCall Brothers

STATE WELL CONSTRUCTION PERMIT NUMBER: N/A

DRILLER REGISTRATION NUMBER: 003

1. WELL LOCATION: (Show sketch of the location below) Well MW-14
 Nearest Town: Chapel Hill County: Durham

Airport Road

(Food Community, or Subdivision and Lot No.)

2. OWNER University of North Carolina at Chapel Hill

ADDRESS 212 Finley Golf Course Rd.

(Street or Route No.,

Chapel Hill

NC

27599

City or Town

State

Zip Code

DEPTH

From To

0 - 5.5

5.5 - 27.0

27.0 - 175

DRILLING LOG

Formation Description

Clay

Sandy Clay

Rock

3. DATE DRILLED 8-11-95 USE OF WELL Monitoring

4. TOTAL DEPTH 175.0

5. CUTTINGS COLLECTED YES NO

6. DOES WELL REPLACE EXISTING WELL? YES NO

7. STATIC WATER LEVEL Below Top of Casing: 14.20 FT.

(Use "-" if Above Top of Casing)

8. TOP OF CASING IS 481.67 FT. Above Land Surface*

* Casing Terminated at/or below land surface is illegal unless a variance is issued in accordance with 15A NCAC 2C .0118

9. YIELD (gpm): N/A METHOD OF TEST N/A

10. WATER ZONES (depth): _____

11. CHLORINATION: Type N/A Amount N/A

If additional space is needed use back of form

12. CASING:

From	Depth	To	Diameter	Wall Thickness or Weight/ft.	Material
0		29.0	8"	0.25"	Steel
0		165.0	2"	SCW 40	PVC
0					

13. GROUT:

From	Depth	To	Material	Method
0		162	Bentonite/Grout	Tremie

14. SCREEN:

From	Depth	To	Diameter	Slot Size	Material
165.0		175.0	2 in.	0.010 in.	PVC

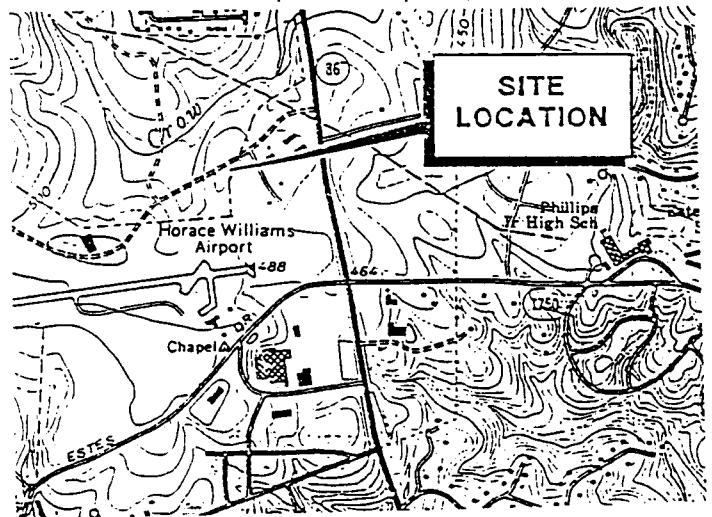
15. SAND/GRAVEL PACK:

From	Depth	To	Size	Material
162.0		175.0	Torpedo	Silica

16. REMARKS: _____

LOCATION SKETCH

(Show direction and distance from at least two State Roads, or other map reference points)



I DO HEREBY CERTIFY THAT THIS WELL WAS CONSTRUCTED IN ACCORDANCE WITH 15A NCAC 2C, WELL CONSTRUCTION STANDARDS, AND THAT A COPY OF THIS RECORD HAS BEEN PROVIDED TO THE WELL OWNER.

[Signature]

8/22/95

SIGNATURE OF CONTRACTOR OR AGENT

DATE

QUAD. NO.	SERIAL NO.
Lat. _____ Long. _____	Pc _____
Minor Basin _____	
Basin Code _____	
Header Ent. _____	GW-1 Ent. _____

WELL CONSTRUCTION RECORD

DRILLING CONTRACTOR: McCall Brothers

STATE WELL CONSTRUCTION PERMIT NUMBER: N/A

DRILLER REGISTRATION NUMBER: 003

1. WELL LOCATION: (Show sketch of the location below)

Well MW-14

Nearest Town: Chapel Hill County: Durham

Airport Road

(Food Community, or Subdivision and Lot No.)

2. OWNER University of North Carolina at Chapel Hill

ADDRESS 210 Finley Golf Course Rd.

Chapel Hill NC 27599

City or Town State Zip Code

DEPTH

From To

0 - 5.5

5.5 - 27.0

27.0 - 175

DRILLING LOG

Formation Description

Clay

Sandy Clay

Rock

3. DATE DRILLED 8-11-95 USE OF WELL Monitoring

4. TOTAL DEPTH 175.0

5. CUTTINGS COLLECTED YES NO

6. DOES WELL REPLACE EXISTING WELL? YES NO

7. STATIC WATER LEVEL Below Top of Casing: 14.20 Ft.

(Use "-" if Above Top of Casing)

8. TOP OF CASING IS 481.67 FT. Above Land Surface*

* Casing Terminated at/or below land surface is illegal unless a variance is issued in accordance with 15A NCAC 2C .0118

9. YIELD (gpm): N/A METHOD OF TEST N/A

10. WATER ZONES (depth):

11. CHLORINATION: Type N/A Amount N/A

If additional space is needed use back of form

12. CASING:

From	To	Depth	Diameter	Wall Thickness or Weight/FT	Material
0	29.0	Ft.	8"	0.25"	Steel
0	165.0	Ft.	2"	SCH 40	PVC
0		Ft.			

13. GROUT:

From	To	Depth	Material	Method
0	162	Ft.	Bentonite/Grout	Tremie
		Ft.		

14. SCREEN:

From	To	Depth	Diameter	Slot Size	Material
165.0	175.0	Ft.	2 in.	0.010 in.	PVC
		Ft.			
		Ft.			

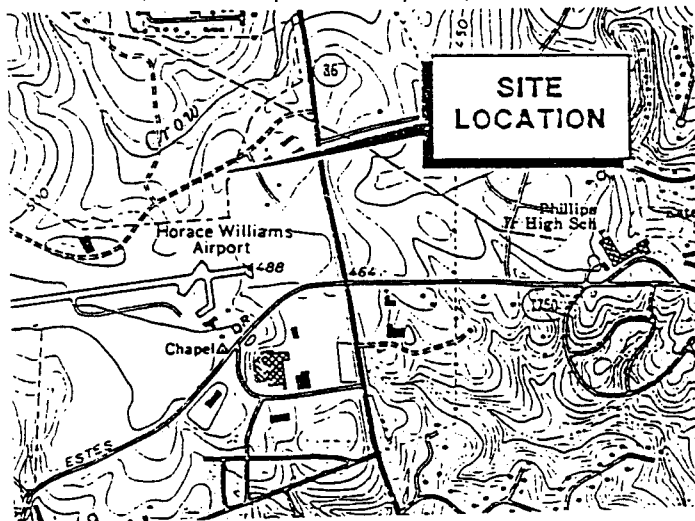
15. SAND/GRAVEL PACK:

From	To	Depth	Size	Material
162.0	175.0	Ft.	Torpedo	Silica
		Ft.		

16. REMARKS:

LOCATION SKETCH

(Show direction and distance from at least two State Roads, or other map reference points)



I DO HEREBY CERTIFY THAT THIS WELL WAS CONSTRUCTED IN ACCORDANCE WITH 15A NCAC 2C, WELL CONSTRUCTION STANDARDS, AND THAT A COPY OF THIS RECORD HAS BEEN PROVIDED TO THE WELL OWNER.

[Signature]

SIGNATURE OF CONTRACTOR OR AGENT

8/22/95

DATE

Dist. No. _____ Serial No. _____
Lat. _____ Long. _____ Pc _____
Minor Basin _____
Basin Code _____
Header Ent. _____ GW-1 Ent. _____

WELL CONSTRUCTION RECORD

DRILLING CONTRACTOR: McCall Brothers
DRILLER REGISTRATION NUMBER: 003

STATE WELL CONSTRUCTION PERMIT NUMBER: N/A

1. **WELL LOCATION:** (Show sketch of the location below)
Nearest Town: Chapel Hill **County:** Durham **Well:** MW-22
Airport Road

(Road, Community, or Subdivision and Lot No.)
2. **OWNER:** University of North Carolina at Chapel Hill
ADDRESS: 212 Finley Golf Course Rd.
Chapel Hill NC 27599
City or Town State Zip Code

DEPTH		DRILLING LOG Formation Description
From	To	
0	2	Silty Clay
2	10	Rock

3. **DATE DRILLED:** 7-26-95 **USE OF WELL:** Monitoring
4. **TOTAL DEPTH:** 10.0
5. **CUTTINGS COLLECTED:** YES NO
6. **DOES WELL REPLACE EXISTING WELL?** YES NO
7. **STATIC WATER LEVEL:** Below Top of Casing: 3.16 FT.
(Use "+" if Above Top of Casing)
8. **TOP OF CASING IS:** 460.78 FT. Above Land Surface*
* Casing Terminated at/or below land surface is illegal unless a variance is issued in accordance with 15A NCAC 2C .0118
9. **YIELD (gpm):** N/A **METHOD OF TEST:** N/A
10. **WATER ZONES (depth):** _____

11. **CHLORINATION:** Type N/A Amount N/A
12. **CASING:** _____

If additional space is needed use back of form

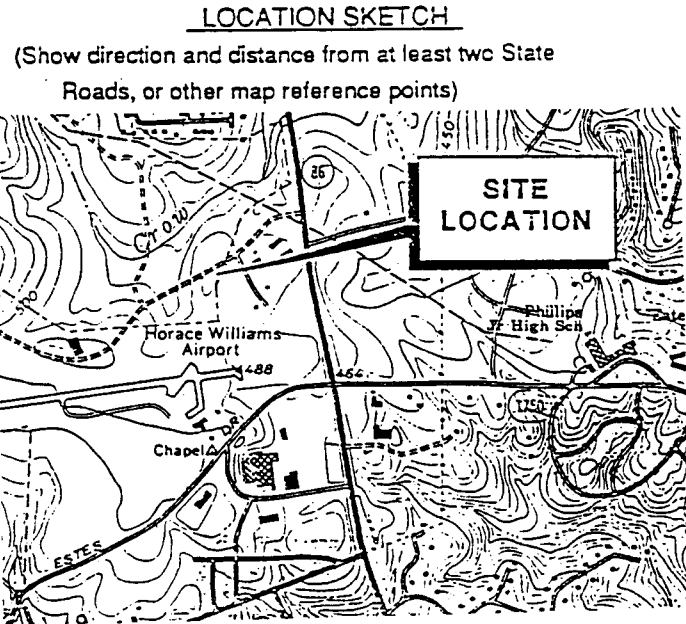
From	To	Depth	Diameter	Wall Thickness or Weight/Ft	Material
0	5.0	Ft.	2"	SCH 40	PVC

From	To	Depth	Material	Method
0	4.0	Ft.	Bentonite/ Grout	Tremie

From	To	Depth	Diameter	Slot Size	Material
5.0	10.0	Ft.	2	0.010	PVC

From	To	Depth	Size	Material
4.0	10.0	Ft.	Torpedo	Silica

16. **REMARKS:** _____



I DO HEREBY CERTIFY THAT THIS WELL WAS CONSTRUCTED IN ACCORDANCE WITH 15A NCAC 2C, WELL CONSTRUCTION STANDARDS, AND THAT A COPY OF THIS RECORD HAS BEEN PROVIDED TO THE WELL OWNER.

[Signature] 7/28/95
SIGNATURE OF CONTRACTOR OR AGENT DATE
Submit original to Division of Environmental Management and copy to well owner.

QUAD. NO. _____ SERIAL NO. _____
 Lat. _____ Long. _____ Pc _____
 Minor Basin _____
 Basin Code _____
 Header Ent. _____ GW-1 Ent. _____

WELL CONSTRUCTION RECORD

DRILLING CONTRACTOR: McCall Brothers

STATE WELL CONSTRUCTION PERMIT NUMBER: N/A

DRILLER REGISTRATION NUMBER: 003

1. WELL LOCATION: (Show sketch of the location below)
 Nearest Town: Chapel Hill County: Durham Well MW-23

Airport Road

(Road, Community, or Subdivision and Lot No.)

DEPTH

DRILLING LOG

2. OWNER University of North Carolina at Chapel Hill
 ADDRESS 212 Finley Golf Course Rd.

From 0 To 17

Formation Description
Silty Clay

Chapel Hill NC 27599
 City or Town State Zip Code

17 - 89

Rock

3. DATE DRILLED 8-17-95 USE OF WELL Monitoring

4. TOTAL DEPTH 89.0

5. CUTTINGS COLLECTED YES NO

6. DOES WELL REPLACE EXISTING WELL? YES NO

7. STATIC WATER LEVEL Below Top of Casing: 2.32 Ft.

(Use "+" if Above Top of Casing)

8. TOP OF CASING IS 458.92 FT. Above Land Surface*

* Casing Terminated at/or below land surface is illegal unless a variance is issued in accordance with 15A NCAC 2C .0118

9. YIELD (gpm): N/A METHOD OF TEST N/A

10. WATER ZONES (depth): _____

11. CHLORINATION: Type N/A Amount N/A

If additional space is needed use back of form

12. CASING:

From	To	Depth	Diameter	Wall Thickness or Weight/Ft	Material
0	17.0	Ft.	6"	0.25"	G.S.
0	78.0	Ft.	2"	SCH 40	PVC
From	To	Ft.			

13. GROUT:

From	To	Depth	Material	Method
0	75.75	Ft.	Bentonite/Grout	Tremie
From	To	Ft.		

14. SCREEN:

From	To	Depth	Diameter	Slot Size	Material
78.0	88.0	Ft.	2 in.	0.010 in.	PVC
From	To	Ft.			
From	To	Ft.			

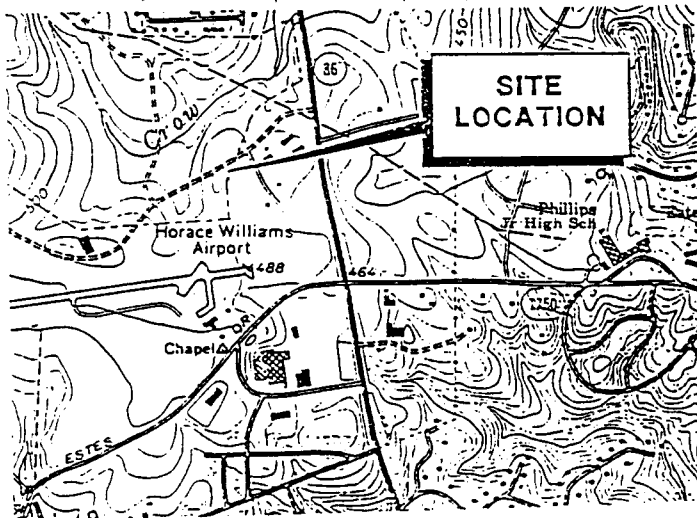
15. SAND/GRAVEL PACK:

From	To	Depth	Size	Material
75.75	89.0	Ft.	Torpedo	Silica
From	To	Ft.		

16. REMARKS: _____

LOCATION SKETCH

(Show direction and distance from at least two State Roads, or other map reference points)



I DO HEREBY CERTIFY THAT THIS WELL WAS CONSTRUCTED IN ACCORDANCE WITH 15A NCAC 2C, WELL CONSTRUCTION STANDARDS, AND THAT A COPY OF THIS RECORD HAS BEEN PROVIDED TO THE WELL OWNER.

[Signature]
 SIGNATURE OF CONTRACTOR OR AGENT

8/25/95
 DATE

QUAD. NO. SERIAL NO.
Lat. Long. Pc
Minor Basin
Basin Code
Header Ent. GW-1 Ent.

WELL CONSTRUCTION RECORD

DRILLING CONTRACTOR: McCall Brothers

STATE WELL CONSTRUCTION PERMIT NUMBER: N/A

DRILLER REGISTRATION NUMBER: 003

1. WELL LOCATION: (Show sketch of the location below)
Nearest Town: Chapel Hill County: Durham Well MW-24

Airport Road

(Road, Community, or Subdivision and Lot No.)

2. OWNER University of North Carolina at Chapel Hill
ADDRESS 212 Finley Golf Course Rd.

DEPTH
From 0 To 11

DRAINING LOG
Formation Description
Slity Clay

Chapel Hill NC 27599
City or Town State Zip Code

11 - 200

Rock

3. DATE DRILLED 1-19-96 USE OF WELL Monitoring

4. TOTAL DEPTH 200.0

5. CUTTINGS COLLECTED YES NO

6. DOES WELL REPLACE EXISTING WELL? YES NO

7. STATIC WATER LEVEL Below Top of Casing: 2.48 FT.

(Use "-" if Above Top of Casing)

8. TOP OF CASING IS 465.32 FT. Above Land Surface*

* Casing Terminated at/or below land surface is illegal unless a variance is issued in accordance with 15A NCAC 2C .0118

9. YIELD (gpm): N/A METHOD OF TEST N/A

10. WATER ZONES (depth):

11. CHLORINATION: Type N/A Amount N/A

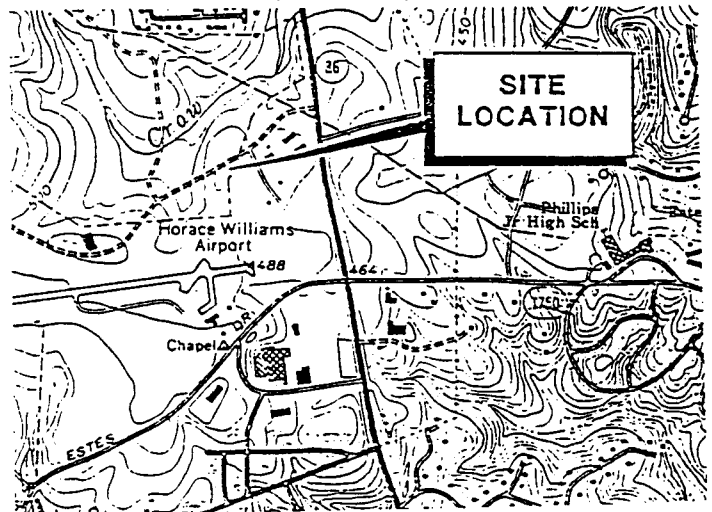
If additional space is needed use back of form

12. CASING:

From	To	Depth	Diameter	Wall Thickness or Weight/Ft.	Material
0	175.00	Ft.	4.0"	SCH 40	PVC
From	To	Ft.			
From	To	Ft.			

LOCATION SKETCH

(Show direction and distance from at least two State Roads, or other map reference points)



13. GROUT:

From	To	Depth	Material	Method
0	173.0	Ft.	Bentonite/Grout	Tremie
From	To	Ft.		

14. SCREEN:

From	To	Depth	Diameter	Slot Size	Material
175.0	195.0	Ft.	4.0 in.	0.010 in.	PVC
From	To	Ft.	in.	in.	
From	To	Ft.	in.	in.	

15. SAND/GRAVEL PACK:

From	To	Depth	Size	Material
173	200	Ft.	Torpedo	Silica
From	To	Ft.		

16. REMARKS:

I DO HEREBY CERTIFY THAT THIS WELL WAS CONSTRUCTED IN ACCORDANCE WITH 15A NCAC 2C, WELL CONSTRUCTION STANDARDS, AND THAT A COPY OF THIS RECORD HAS BEEN PROVIDED TO THE WELL OWNER.

SIGNATURE OF CONTRACTOR OR AGENT

2/2/96

DATE

WELL CONSTRUCTION RECORD

DRILLING CONTRACTOR: McCall Brothers

STATE WELL CONSTRUCTION PERMIT NUMBER: N/A

DRILLER REGISTRATION NUMBER: 003

1. WELL LOCATION: (Show sketch of the location below)

Nearest Town: Chapel Hill County: Durham Well MW - 25
Airport Road

(Road, Community, or Subdivision and Lot No.)

2. OWNER University of North Carolina at Chapel Hill

ADDRESS 212 Finley Golf Course Rd.

Chapel Hill NC 27599

City or Town: State Zip Code

DEPTH

From To

0 - 13

13 - 15

DRILLING LOG

Formation Description

Silty Clay

Weathered Rock

3. DATE DRILLED 1-23-96 USE OF WELL Monitoring

4. TOTAL DEPTH 15.0

5. CUTTINGS COLLECTED YES NO

6. DOES WELL REPLACE EXISTING WELL? YES NO

7. STATIC WATER LEVEL Below Top of Casing: 6.92 FT.

8. TOP OF CASING IS 458.74 FT. Above Land Surface*

* Casing Terminated at/or below land surface is illegal unless a variance is issued in accordance with 15A NCAC 2C .0118

9. YIELD (gpm): N/A METHOD OF TEST N/A

10. WATER ZONES (depth):

11. CHLORINATION: Type N/A Amount N/A

If additional space is needed use back of form

12. CASING:

From	Depth	To	Diameter	Wall Thickness or Weight/FL	Material
0	5.0	Ft.	2"	SCH 40	PVC
From	To	Ft.			
From	To	Ft.			

13. GROUT:

From	Depth	To	Material	Method
0	4.0	Ft.	Bentonite/Grout	Tremie
From	To	Ft.		

14. SCREEN:

From	Depth	To	Diameter	Slot Size	Material
5.0	15.0	Ft.	2 in.	0.010 in.	PVC
From	To	Ft.	in.	in.	
From	To	Ft.	in.	in.	

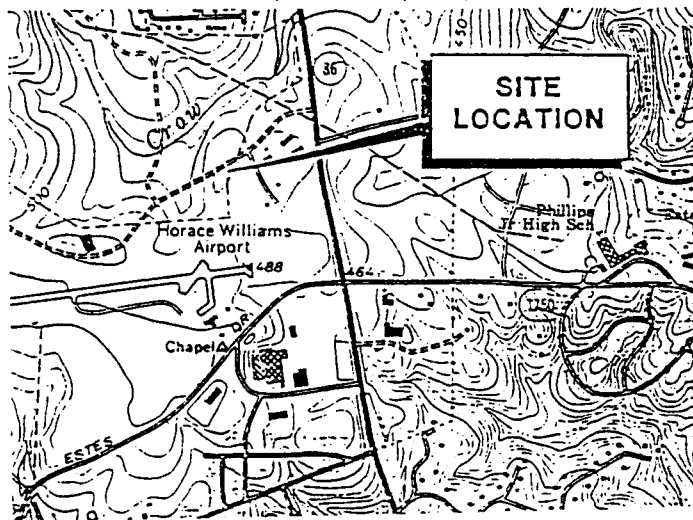
15. SAND/GRAVEL PACK:

From	Depth	To	Size	Material
4.0	15.0	Ft.	Torpedo	Silica
From	To	Ft.		

16. REMARKS:

LOCATION SKETCH

(Show direction and distance from at least two State Roads, or other map reference points)



I DO HEREBY CERTIFY THAT THIS WELL WAS CONSTRUCTED IN ACCORDANCE WITH 15A NCAC 2C, WELL CONSTRUCTION STANDARDS, AND THAT A COPY OF THIS RECORD HAS BEEN PROVIDED TO THE WELL OWNER.

[Signature]

2/2/96

SIGNATURE OF CONTRACTOR OR AGENT

DATE

Submit original to Division of Environmental Management and copy to well owner.

QUAD. NO. _____ SERIAL NO. _____
 Lat. _____ Long. _____ Pc _____
 Minor Basin _____
 Basin Code _____
 Header Ent. _____ GW-1 Ent _____

WELL CONSTRUCTION RECORD

DRILLING CONTRACTOR: McCall Brothers

DRILLER REGISTRATION NUMBER: 003

STATE WELL CONSTRUCTION PERMIT NUMBER: N/A

1. WELL LOCATION: (Show sketch of the location below)
 Nearest Town: Chapel Hill County: Durham Well MW-26

Airport Road

(Road, Community, or Subdivision and Lot No.)

2. OWNER University of North Carolina at Chapel Hill
 ADDRESS 212 Finley Golf Course Rd.

DEPTH	
From	To
0	13
13	14.5
14.5	180

DRILLING LOG
Formation Description
Silty Clay
Weathered Rock
Rock

Chapel Hill NC 27599
 City or Town State Zip Code

3. DATE DRILLED 2-5-96 USE OF WELL Monitoring

4. TOTAL DEPTH 180.0

5. CUTTINGS COLLECTED YES NO

6. DOES WELL REPLACE EXISTING WELL? YES NO

7. STATIC WATER LEVEL Below Top of Casing: 5.29 FT.

8. TOP OF CASING IS 458.79 FT. Above Land Surface*
 (Use "*" if Above Top of Casing)

* Casing Terminated at/or below land surface is illegal unless a variance is issued
 in accordance with 15A NCAC 2C .0118

9. YIELD (gpm): N/A METHOD OF TEST N/A

10. WATER ZONES (depth): _____

11. CHLORINATION: Type N/A Amount N/A

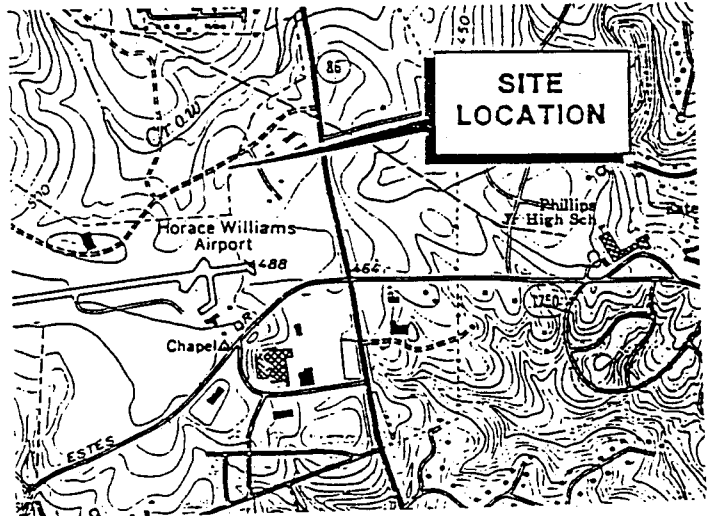
If additional space is needed use back of form

12. CASING:

From	To	Depth	Diameter	Wall Thickness or Weight/Ft.	Material	G.S.
0	20.0	Ft.	6	0.25	PVC	
0	75.0	Ft.	2	SCH 40	PVC	
From	To	Ft.				

LOCATION SKETCH

(Show direction and distance from at least two State Roads, or other map reference points)



13. GROUT:

From	To	Depth	Material	Method
0	70.0	Ft.	Bentonite/Grout	Tremie
From	To	Ft.		

14. SCREEN:

From	To	Depth	Diameter	Slot Size	Material
75.0	90.0	Ft.	2 in.	0.010 in.	PVC
From	To	Ft.	in.	in.	
From	To	Ft.	in.	in.	

15. SAND/GRAVEL PACK:

From	To	Depth	Size	Material
70.0	100.0	Ft.	Torpedo	Silica
From	To	Ft.		

16. REMARKS: _____

I DO HEREBY CERTIFY THAT THIS WELL WAS CONSTRUCTED IN ACCORDANCE WITH 15A NCAC 2C, WELL CONSTRUCTION STANDARDS, AND THAT A COPY OF THIS RECORD HAS BEEN PROVIDED TO THE WELL OWNER.

[Handwritten Signature]

2/12/96

SIGNATURE OF CONTRACTOR OR AGENT

DATE

Submit original to Division of Environmental Management and copy to well owner.

QUAD. NO. _____ SERIAL NO. _____
 Lat. _____ Long. _____ Pc _____
 Minor Basin _____
 Basin Code _____
 Header Ent. _____ GW-1 Ent. _____

WELL CONSTRUCTION RECORD

DRILLING CONTRACTOR: McCall Brothers

DRILLER REGISTRATION NUMBER: 003 STATE WELL CONSTRUCTION PERMIT NUMBER: N/A

1. WELL LOCATION: (Show sketch of the location below)
 Nearest Town: Chapel Hill County: Durham Well MW-28
Airport Road
 (Road, Community, or Subdivision and Lot No.)

2. OWNER University of North Carolina at Chapel Hill
 ADDRESS 212 Finley Golf Course Rd.
Chapel Hill NC 27599
 (Street or Route No.)
 City or Town State Zip Code

DEPTH	DEPTH		DRILLING LOG
	From	To	
	0	10	Silty Clay
	10	46	Rock

3. DATE DRILLED 1-15-96 USE OF WELL Monitoring
 4. TOTAL DEPTH 46.0
 5. CUTTINGS COLLECTED YES NO
 6. DOES WELL REPLACE EXISTING WELL? YES NO
 7. STATIC WATER LEVEL Below Top of Casing: 8.39 FT.
 (Use "-" if Above Top of Casing)

8. TOP OF CASING IS 480.40 FT. Above Land Surface*

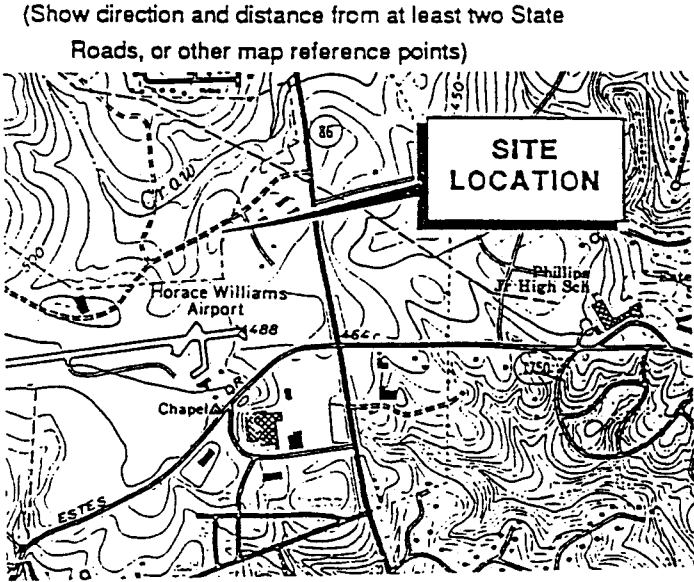
* Casing Terminated at/or below land surface is illegal unless a variance is issued in accordance with 15A NCAC 2C .0118

9. YIELD (gpm): N/A METHOD OF TEST N/A
 10. WATER ZONES (depth): _____

11. CHLORINATION: Type N/A Amount N/A
 12. CASING: _____

If additional space is needed use back of form

LOCATION SKETCH



13. GROUT:

From	To	Depth	Diameter	Wall Thickness or Weight/FL	Material
0	36.0	Ft.	2	SCH 40	PVC

14. SCREEN:

From	To	Depth	Diameter	Slot Size	Material
36.0	46.0	Ft.	2	0.010 in.	PVC

15. SAND/GRAVEL PACK:

From	To	Depth	Size	Material
33.0	46.0	Ft.	Torpedo	Silica

16. REMARKS: _____

I DO HEREBY CERTIFY THAT THIS WELL WAS CONSTRUCTED IN ACCORDANCE WITH 15A NCAC 2C, WELL CONSTRUCTION STANDARDS, AND THAT A COPY OF THIS RECORD HAS BEEN PROVIDED TO THE WELL OWNER.

[Signature] 2/2/96
 SIGNATURE OF CONTRACTOR OR AGENT DATE
 Submit original to Division of Environmental Management and copy to well owner.